

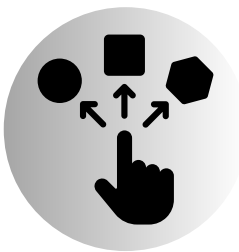


Aalborg Gummivarefabrik A/S

Silikone fastgummiprofiler

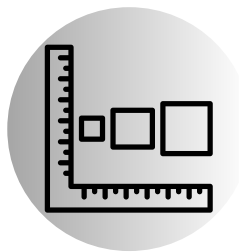


Fordele:



Bredt udvalg:

- Rund- & Firkantprofiler
- U-profiler
- Specialprofiler



Dimensioner:

- Leveringsdygtige i profiler ned til 10-25 m.
- Flere former og farver



Modstandsdygtig:

- -60°C til +200°C.
- UV-lys
- Ozon
- Statisk elektricitet



Godkendte til:

- Fødevarer i hht. FDA



Aalborg Gummivarefabrik A/S

Indholdsfortegnelse

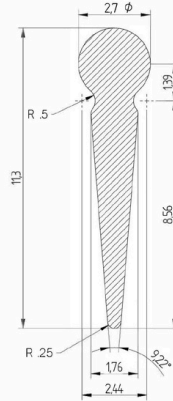
- Taspole Section 3 - 6
- Trapezium Section 7 - 20
- T Section Pips 21 - 37
- Triangular Section 38 - 43
- T Sections 44 - 55

Taspole Section

Taspole Section



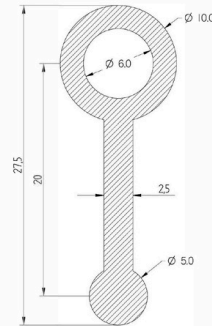
ISS. NO: 1	ISS. DATE 16.09.2016	AUTH: SP	REG NO: SED 2265
------------	----------------------	----------	------------------



ALL RADS 0.25MM MINIMUM UNLESS OTHERWISE STATED

WPS NO:	TOL'S: ISO 3302-1:2014 E1
TITLE: S/R Tadpole Section	NO: WS.70.1.
MATERIAL: General Purpose, 70°sh A Hardness	SCALE: NTS
COLOUR: Black	DRG NO: SED 2265
DIE NO: 2281/SB	ISSUE NO: 1

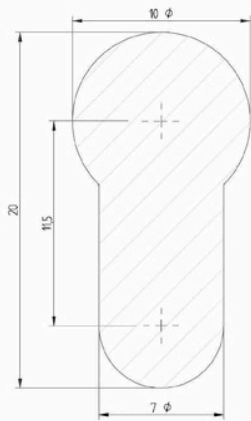
ISS. NO: 1	ISS. DATE: 17.06.2015	AUTH: SP	REG NO: SED 1965
------------	-----------------------	----------	------------------



ALL RADS 0.25MM UNLESS OTHERWISE SPECIFIED

WPS NO:	TOL'S: ISO 3302-2014 CLASS E1 (unless otherwise stated)
TITLE: S/R Section	NO: WS.60.1.
MATERIAL: General Purpose, 60°sh A	SCALE:
COLOUR: Red	DRG NO:
DIE NO: 3550/SB	ISSUE NO: 1

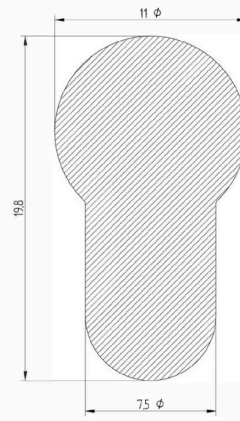
ISS. NO: 1	ISS. DATE 22.10.2013	AUTH: SP	REG NO: SED 1554
------------	----------------------	----------	------------------



ALL RADS 0.25MM MINIMUM UNLESS OTHERWISE STATED

WPS NO:	TOL'S: ISO 3302-1:2014(E) (unless otherwise stated)
TITLE: S/R Tadpole Section	NO: WS.55.1.
MATERIAL: General Purpose, 55°sh A Hardness	SCALE: NTS
COLOUR: White	DRG NO: SED 1554
DIE NO: 1999/SB	ISSUE NO: 1

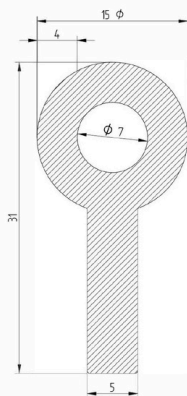
ISS. NO: 1	ISS. DATE 15.10.2013	AUTH: SP	REG NO: SED 1535
------------	----------------------	----------	------------------



ALL RADS 0.25MM MINIMUM UNLESS OTHERWISE STATED

WPS NO:	TOL'S: ISO 3302-1:2014(E) (unless otherwise stated)
TITLE: S/R Tadpole Section	NO: WS.55.1.
MATERIAL: General Purpose, 55°sh A Hardness	SCALE: NTS
COLOUR: White	DRG NO: SED 1535
DIE NO: 2068/SB	ISSUE NO: 1

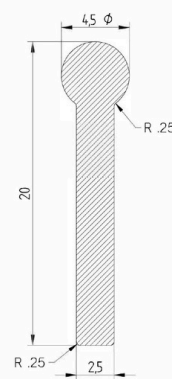
ISS. NO: 1	ISS. DATE: 11.10.2013	AUTH: SP	REG NO: SED 1528
------------	-----------------------	----------	------------------



ALL RADS 0.25MM MINIMUM UNLESS OTHERWISE STATED

WPS NO:	TOL'S: ISO 3302-1:2014(E) (unless otherwise stated)
TITLE: S/R Tadpole Section	NO: WS.50.4.
MATERIAL: High Temp to 250°C, 50°sh A	SCALE: NTS
COLOUR: Black	DRG NO: SED 1528
DIE NO: 2086/SB	ISSUE NO: 1

ISS. NO: 1	ISS. DATE: 06.02.17	AUTH: SP	REG NO: SED 2375
------------	---------------------	----------	------------------



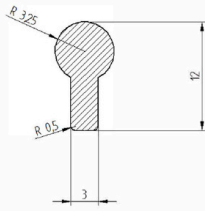
ALL RADS 0.25MM MINIMUM UNLESS OTHERWISE STATED

WPS NO:	TOL'S: ISO 3302-1:2014 E1
TITLE: Section	NO: WS.30.1
MATERIAL: WS.30.1	SCALE: NTS
COLOUR: TBC	DRG NO: SED 2375
DIE NO: 4350/sb	ISSUE NO: 1

Taspole Section

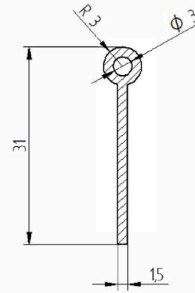


ISS. NO: 1 ISS. DATE 24.02.2022 AUTH: KD REG NO: SED 3339



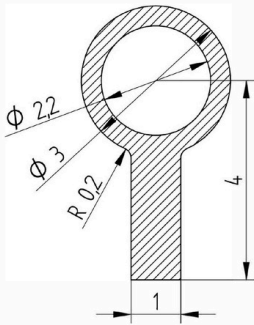
WPS NO: 100865	TOL'S: ISO 3302-1:2014 E1 (unless otherwise stated)
TITLE: S/R Section	NO: LT50
MATERIAL: LT50	SCALE: NTS
COLOUR: Blue 3	DRG NO: 3339
DIE NO: 2649	ISSUE NO: 1

ISS. NO: 1 ISS. DATE 15.02.2022 AUTH: KD REG NO: SED 3223



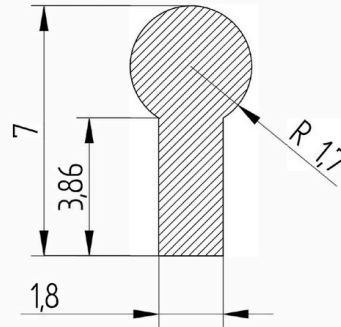
WPS NO: G26741c	TOL'S: ISO 3302-1:2014 E1 (unless otherwise stated)
TITLE: S/R Section	NO: WS.60.1.
MATERIAL: WS.60.1.	SCALE: NTS
COLOUR: Black	DRG NO: 3223
DIE NO: 3033	ISSUE NO: 1

ISS. NO: 1 ISS. DATE: 15.04.19 AUTH: JL REG NO: SED 2761



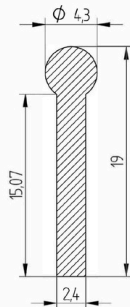
WPS NO:	TOL'S: ISO 3302-1:2014 E1 (unless otherwise stated)
TITLE: S/R Section	NO: WS.60.1
MATERIAL: WS.60.1.	SCALE: NTS
COLOUR: Black	DRG NO: 2761
DIE NO: 4730	ISSUE NO: 1

ISS. NO: 1 ISS. DATE: 22.02.19 AUTH: JL REG NO: SED 2735



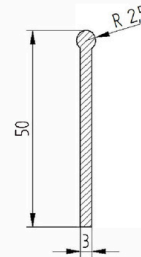
WPS NO: 214633	TOL'S: ISO 3302-1:2014 E1 (unless otherwise stated)
TITLE: S/R Section	NO: WS.60.1.
MATERIAL: WS.60.1.	SCALE: NTS
COLOUR: Black	DRG NO: 2735
DIE NO: 4705	ISSUE NO: 1

ISS. NO: 1 ISS. DATE: 22.10.2018 AUTH: JL REG NO: SED 2697



WPS NO: G37401	TOL'S: ISO 3302-1:2014 E1 (unless otherwise stated)
TITLE: S/R Section	NO: NGP 60
MATERIAL: NGP 60	SCALE: NTS
COLOUR: Trans	DRG NO: 2697
DIE NO: 4380	ISSUE NO: 1

ISS. NO: 1 ISS. DATE 07.03.2022 AUTH: KD REG NO: SED 3408

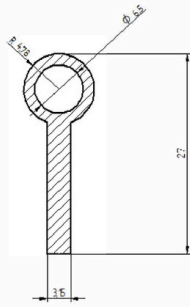


WPS NO: G16381b	TOL'S: ISO 3302-1:2014 E1 (unless otherwise stated)
TITLE: S/R Section	NO: WS.60.1.
MATERIAL: WS.60.1.	SCALE: NTS
COLOUR: Trans	DRG NO: 3408
DIE NO: 2369	ISSUE NO: 1

Taspole Section

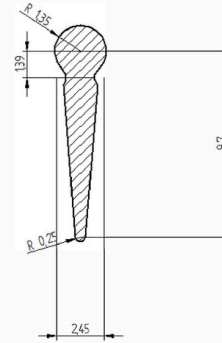


ISS. NO: 1 ISS. DATE 05.04.2022 AUTH: KD REG NO: SED 3539



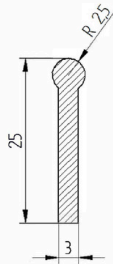
WPS NO:	TOL'S: ISO 3302-1:2014 E1 (unless otherwise stated)
TITLE: S/R Section	NO: WS.70.1.
MATERIAL: WS.70.1.	SCALE: NTS
COLOUR: RJOX	DRG NO: 3539
DIE NO: 1146	ISSUE NO: 1

ISS. NO: 1 ISS. DATE 10.03.2022 AUTH: KD REG NO: SED 3447



WPS NO: 91754	TOL'S: ISO 3302-1:2014 E1 (unless otherwise stated)
TITLE: S/R Section	NO: WS.65.1
MATERIAL: WS.65.1	SCALE: NTS
COLOUR: Black	DRG NO: 3447
DIE NO: 2216	ISSUE NO: 1

ISS. NO: 1 ISS. DATE 07.03.2022 AUTH: KD REG NO: SED 3409



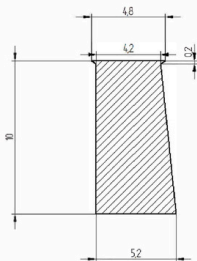
WPS NO: G16381a	TOL'S: ISO 3302-1:2014 E1 (unless otherwise stated)
TITLE: S/R Section	NO: WS.60.1.
MATERIAL: WS.60.1.	SCALE: NTS
COLOUR: Trans	DRG NO: 3409
DIE NO: 2366	ISSUE NO: 1

Trapezium Section

Trapezium Section

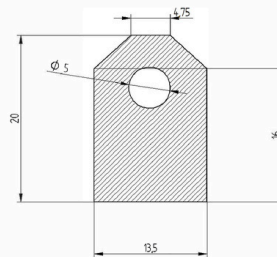


ISS. NO: 1 ISS. DATE: 22.05.03 AUTH: NRJS REG NO: SED 0453



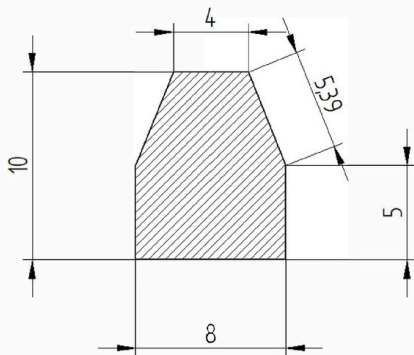
WPS NO:	TOL'S: ISO 3302-1:2014 E1 (unless otherwise stated)
TITLE: S/R Section	NO: Ws.65.1.
MATERIAL: WS.65.1	SCALE: NTS
COLOUR: Trans	DRG NO: 0453
DIE NO: 1724	ISSUE NO: 1

ISS. NO: ISS. DATE: 15.09.21 AUTH: NJRS REG NO: SED 0314



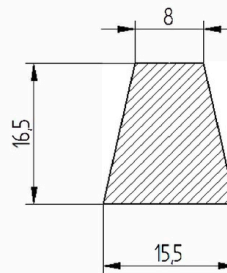
WPS NO:	TOL'S: ISO 3302-1:2014 E1 (unless otherwise stated)
TITLE: S/R Section	NO: WS.45.1
MATERIAL: WS.45.1	SCALE: NTS
COLOUR: RIOX	DRG NO: 0314
DIE NO: 1438	ISSUE NO: 1

ISS. NO: ISS. DATE: 16.07.99 AUTH: NJRS REG NO: SED 0287



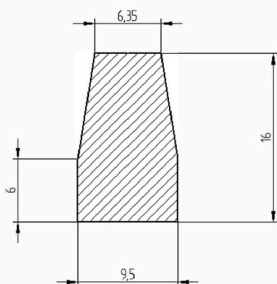
WPS NO:	TOL'S: ISO 3302-1:2014 E1 (unless otherwise stated)
TITLE: S/R Section	NO: WS.65.1
MATERIAL: WS.65.1	SCALE: NTS
COLOUR: RIOX	DRG NO: 0287
DIE NO: 1216/1084	ISSUE NO: 1

ISS. NO: 1 ISS. DATE: 26.08.97 AUTH: NRJS REG NO: SED 0210



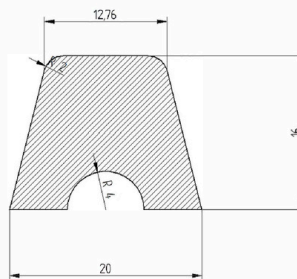
WPS NO:	TOL'S: ISO 3302-1:2014 E1 (unless otherwise stated)
TITLE: S/R Section	NO: Ws.65.1.
MATERIAL: WS.65.1	SCALE: NTS
COLOUR: White	DRG NO: 0210
DIE NO: 1030	ISSUE NO: 1

ISS. NO: 1 ISS. DATE: 19.03.97 AUTH: NRJS REG NO: SED 0185



WPS NO:	TOL'S: ISO 3302-1:2014 E1 (unless otherwise stated)
TITLE: S/R Section	NO: Ws.45.1.
MATERIAL: WS.45.1	SCALE: NTS
COLOUR: White	DRG NO: 0185
DIE NO: 1012	ISSUE NO: 1

ISS. NO: ISS. DATE: 29.09.04 AUTH: NJRS REG NO: SED 0491

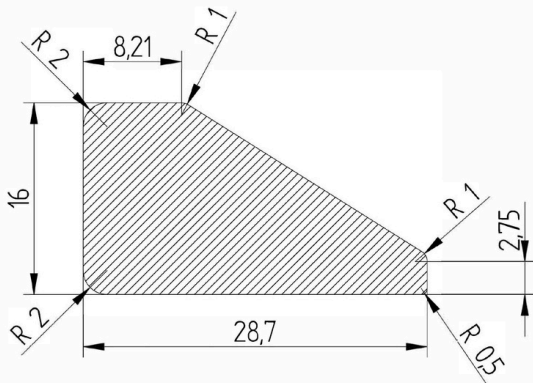


WPS NO:	TOL'S: ISO 3302-1:2014 E1 (unless otherwise stated)
TITLE: S/R Section	NO: WS.60.1
MATERIAL: WS.60.1	SCALE: NTS
COLOUR: Trans	DRG NO: 0491
DIE NO: 1860	ISSUE NO: 1

Trapezium Section

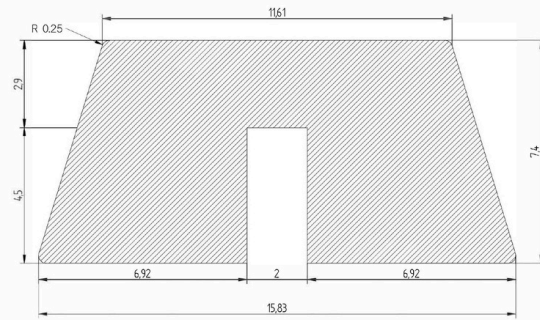


ISS. NO: 1	ISS. DATE: 16.12.2011	AUTH: AH	REG NO: SED 1066
------------	-----------------------	----------	------------------



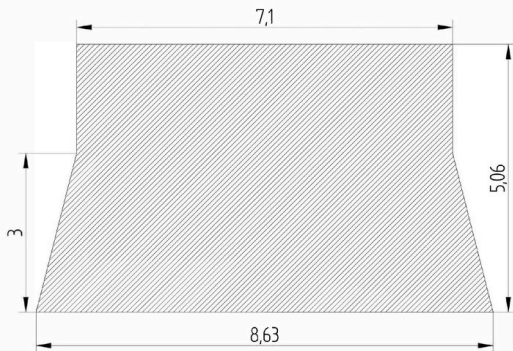
WPS NO:	TOL'S: ISO 3302-1:2014(E) (unless otherwise stated)
TITLE: S/R PROFILE	NO:
MATERIAL: WS.75.1.	SCALE:
COLOUR: RIOX	DRG NO:
DIE NO: 2996	ISSUE NO:

ISS. NO: 1	ISS. DATE: 17.08.16	AUTH: sP	REG NO: SED 0828
------------	---------------------	----------	------------------



WPS NO:	TOL'S: ISO 3302-1:2014 E1 (unless otherwise stated)
TITLE: S/R Section	NO: WS.50.1.
MATERIAL: WS.50.1	SCALE: NTS
COLOUR: White	DRG NO: 0828
DIE NO: 2410	ISSUE NO: 1

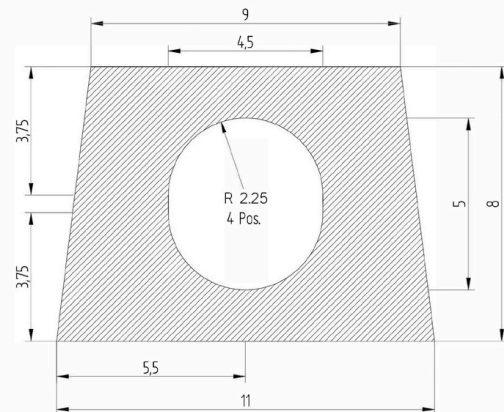
ISS. NO: 1	ISS. DATE: 09.11.2016	AUTH: SP	REG NO: SED 0792
------------	-----------------------	----------	------------------



ALL RADS 0.25MM MINIMUM UNLESS OTHERWISE STATED

WPS NO:	TOL'S: ISO 3302-1:2014 E1
TITLE: S/R Trapezium Section	NO: WS.60.1.
MATERIAL: General Purpose, 60*sh A Hardness	SCALE: NTS
COLOUR: Blue	DRG NO: SED 0792
DIE NO: 2715/SB	ISSUE NO: 1

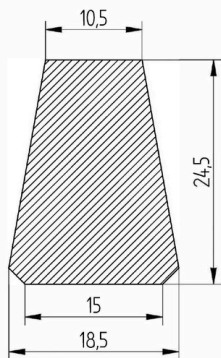
ISS. NO: 1	ISS. DATE: 16.08.2016	AUTH: SP	REG NO: SED 0725
------------	-----------------------	----------	------------------



ALL RADS 0.25MM MINIMUM UNLESS OTHERWISE STATED

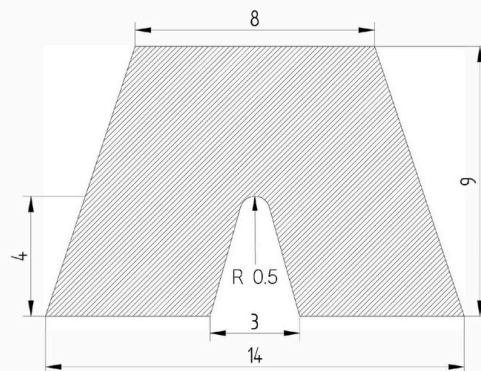
WPS NO:	TOLERANCES ISO 3302-1:2014(E) (unless otherwise stated)
TITLE: S/R Section	NO: WS.60.1.
MATERIAL: General Purpose, 60*sh A Hardness	SCALE: NTS
COLOUR: Translucent	DRG NO: SED 0725
DIE NO: 2375/SB	ISSUE NO: 1

ISS. NO: 1	ISS. DATE: 05.11.07	AUTH: AH	REG NO: SED 0682
------------	---------------------	----------	------------------



WPS NO:	TOLERANCES ISO 3302-1:2014(E) (unless otherwise stated)
TITLE: S/R SECTION (WEDGE)	NO:
MATERIAL: WS.60.1.W	SCALE: NTS
COLOUR: WHITE	DRG NO: SED 0682
DIE NO: 1434	ISSUE NO: 1

ISS. NO: 1	ISS. DATE: 14.10.2013	AUTH: SP	REG NO: SED 0570
------------	-----------------------	----------	------------------



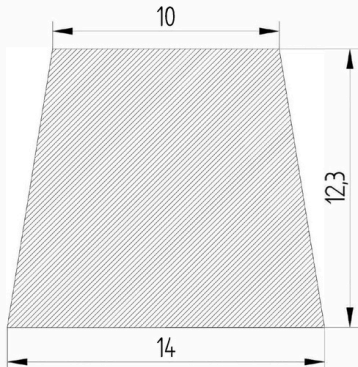
ALL RADS 0.25MM MINIMUM UNLESS OTHERWISE STATED

WPS NO:	TOL'S: ISO 3302-1:2014(E) (unless otherwise stated)
TITLE: S/R Section	NO: WS.60.1.
MATERIAL: General Purpose, 60*sh A Hardness	SCALE: NTS
COLOUR: Red Oxide	DRG NO: SED 0570
DIE NO: 2054/SB	ISSUE NO: 1

Trapezium Section



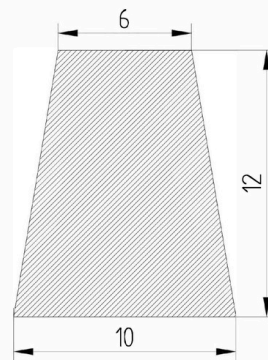
ISS. NO: 1	ISS. DATE 01.10.2013	AUTH: SP	REG NO: SED 1455
------------	----------------------	----------	------------------



ALL RADS 0.25MM MINIMUM UNLESS OTHERWISE STATED

WPS NO:	TOL'S: ISO 3302-1:2014(E) (unless otherwise stated)
TITLE: S/R Trapezium Section	NO: WS.55.1.
MATERIAL: General Purpose, 55°sh A Hardness	SCALE: NTS
COLOUR: Translucent	DRG NO: SED 1455
DIE NO: 2921/SB	ISSUE NO: 1

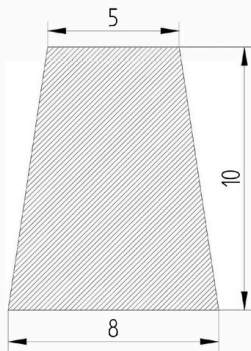
ISS. NO: 1	ISS. DATE 01.10.2013	AUTH: SP	REG NO: SED 1454
------------	----------------------	----------	------------------



ALL RADS 0.25MM MINIMUM UNLESS OTHERWISE STATED

WPS NO:	TOL'S: ISO 3302-1:2014(E) (unless otherwise stated)
TITLE: S/R Trapezium Section	NO: WS.65/70.1.
MATERIAL: General Purpose, 65/70°sh A	SCALE: NTS
COLOUR: Red Oxide	DRG NO: SED 1454
DIE NO: 2955/SB	ISSUE NO: 1

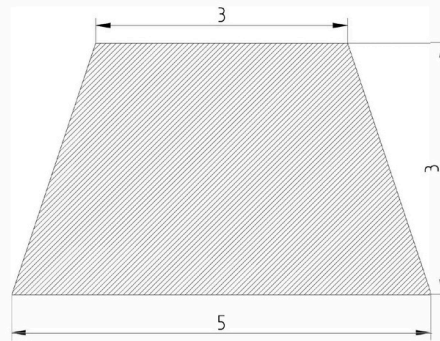
ISS. NO: 1	ISS. DATE 01.10.2013	AUTH: SP	REG NO: SED 1453
------------	----------------------	----------	------------------



ALL RADS 0.25MM MINIMUM UNLESS OTHERWISE STATED

WPS NO:	TOL'S: ISO 3302-1:2014(E) (unless otherwise stated)
TITLE: S/R Trapezium Section	NO: WS.65/70.1.
MATERIAL: General Purpose, 65/70°sh A	SCALE: NTS
COLOUR: Red Oxide	DRG NO: SED 1453
DIE NO: 2954/SB	ISSUE NO: 1

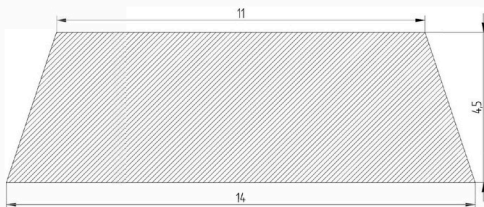
ISS. NO: 1	ISS. DATE 01.10.2013	AUTH: SP	REG NO: SED 1452
------------	----------------------	----------	------------------



ALL RADS 0.25MM MINIMUM UNLESS OTHERWISE STATED

WPS NO:	TOL'S: ISO 3302-1:2014(E) (unless otherwise stated)
TITLE: S/R Trapezium Section	NO: WS.50.1.
MATERIAL: General Purpose, 50°sh A Hardness	SCALE: NTS
COLOUR: White	DRG NO: SED 1452
DIE NO: 2983/SB	ISSUE NO: 1

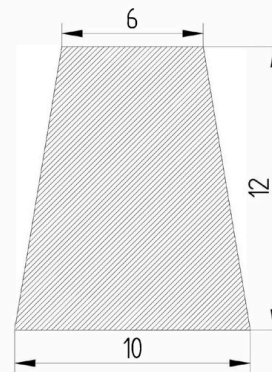
ISS. NO: 1	ISS. DATE 17.08.2016	AUTH: SP	REG NO: SED 1128
------------	----------------------	----------	------------------



ALL RADS 0.25MM MINIMUM UNLESS OTHERWISE STATED

WPS NO:	TOL'S: ISO 3302-1:2014(E) (unless otherwise stated)
TITLE: S/R TRAPEZIUM PROFILE	NO: WS.80.1.
MATERIAL: WS.80.1.	SCALE: NTS
COLOUR: Red Oxide	DRG NO: SED 1128
DIE NO: 3102/SB	ISSUE NO: 1

ISS. NO: 1	ISS. DATE 01.10.2013	AUTH: SP	REG NO: SED 1458
------------	----------------------	----------	------------------



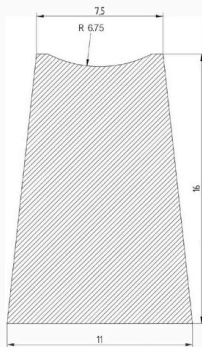
ALL RADS 0.25MM MINIMUM UNLESS OTHERWISE STATED

WPS NO:	TOL'S: ISO 3302-1:2014(E) (unless otherwise stated)
TITLE: S/R Trapezium Section	NO: WS.60.1.
MATERIAL: General Purpose, 60°sh A Hardness	SCALE: NTS
COLOUR: Translucent	DRG NO: SED 1458
DIE NO: 2763/SB	ISSUE NO: 1

Trapezium Section



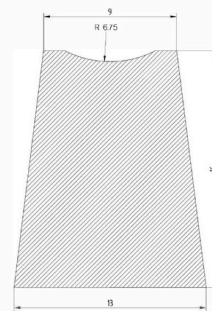
ISS. NO: 1	ISS. DATE 03.10.2013	AUTH: SP	REG NO: SED 1481
------------	----------------------	----------	------------------



ALL RADS 0.25MM MINIMUM UNLESS OTHERWISE STATED

WPS NO:	TOL'S: ISO 3302-1:2014(E) (unless otherwise stated)
TITLE: S/R Section	NO: NGP.60.
MATERIAL: Platinum Cured, 60°sh A Hardness	SCALE: NTS
COLOUR: Silver 9006	DRG NO: SED 1481
DIE NO: 2348/SB	ISSUE NO: 1

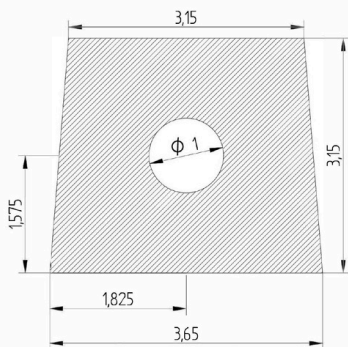
ISS. NO: 1	ISS. DATE 03.10.2013	AUTH: SP	REG NO: SED 1480
------------	----------------------	----------	------------------



ALL RADS 0.25MM MINIMUM UNLESS OTHERWISE STATED

WPS NO:	TOL'S: ISO 3302-1:2014(E) (unless otherwise stated)
TITLE: S/R Section	NO: NGP.60.
MATERIAL: Platinum Cured, 60°sh A Hardness	SCALE: NTS
COLOUR: Silver 9006	DRG NO: SED 1480
DIE NO: 2349/SB	ISSUE NO: 1

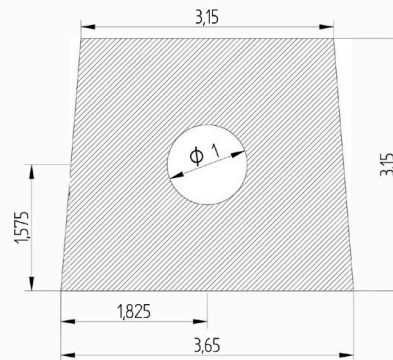
ISS. NO: 1	ISS. DATE 01.10.2013	AUTH: SP	REG NO: SED 1462
------------	----------------------	----------	------------------



ALL RADS 0.25MM MINIMUM UNLESS OTHERWISE STATED

WPS NO:	TOL'S: ISO 3302-1:2014(E) (unless otherwise stated)
TITLE: S/R Trapezium Section	NO: WS.75.1.
MATERIAL: General Purpose, 75°sh A Hardness	SCALE: NTS
COLOUR: Orange	DRG NO: SED 1462
DIE NO: 2744/SB	ISSUE NO: 1

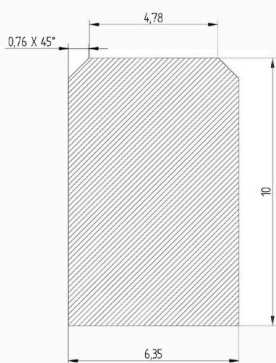
ISS. NO: 1	ISS. DATE 01.10.2013	AUTH: SP	REG NO: SED 1461
------------	----------------------	----------	------------------



ALL RADS 0.25MM MINIMUM UNLESS OTHERWISE STATED

WPS NO:	TOL'S: ISO 3302-1:2014(E) (unless otherwise stated)
TITLE: S/R Trapezium Section	NO: WS.60.1.
MATERIAL: General Purpose, 60°sh A Hardness	SCALE: NTS
COLOUR: Red Oxide	DRG NO: SED 1461
DIE NO: 2745/SB	ISSUE NO: 1

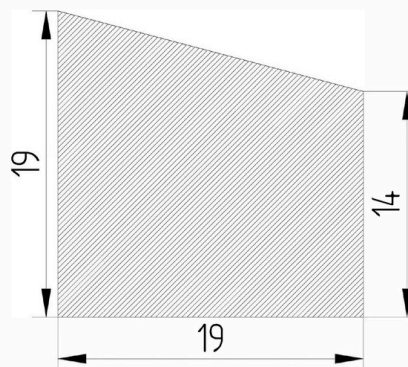
ISS. NO: 1	ISS. DATE 01.10.2013	AUTH: SP	REG NO: SED 1460
------------	----------------------	----------	------------------



ALL RADS 0.25MM MINIMUM UNLESS OTHERWISE STATED

WPS NO:	TOL'S: ISO 3302-1:2014(E) (unless otherwise stated)
TITLE: S/R Section	NO: WS.60.1.
MATERIAL: General Purpose, 60°sh A Hardness	SCALE: NTS
COLOUR: Off White	DRG NO: SED 1460
DIE NO: 2720/SB	ISSUE NO: 1

ISS. NO: 1	ISS. DATE 03.10.2013	AUTH: SP	REG NO: SED 1489
------------	----------------------	----------	------------------



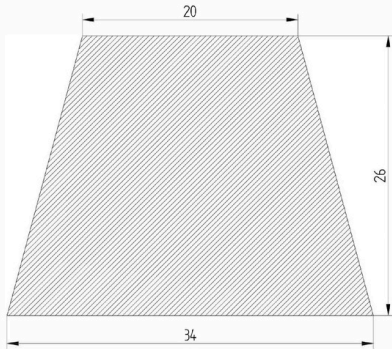
ALL RADS 0.25MM MINIMUM UNLESS OTHERWISE STATED

WPS NO:	TOL'S: ISO 3302-1:2014 E1 (unless otherwise stated)
TITLE: S/R Section	NO: WS.60.1.
MATERIAL: General Purpose 60°sh A	SCALE:
COLOUR: White	DRG NO:
DIE NO: 3469	ISSUE NO:

Trapezium Section



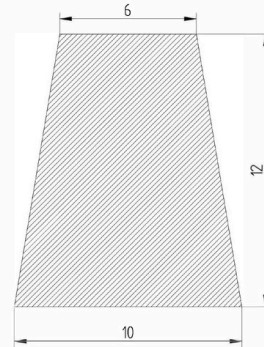
ISS. NO: 1	ISS. DATE 09.10.2013	AUTH: SP	REG NO: SED 1516
------------	----------------------	----------	------------------



ALL RADS 0.25MM MINIMUM UNLESS OTHERWISE STATED

WPS NO:	TOL'S: ISO 3302-1:2014(E) (unless otherwise stated)
TITLE: S/R Trapezium Section	NO: WS.60.1.
MATERIAL: General Purpose, 60°sh A Hardness	SCALE: NTS
COLOUR: Red Oxide	DRG NO: SED 1516
DIE NO: 2129/SB	ISSUE NO: 1

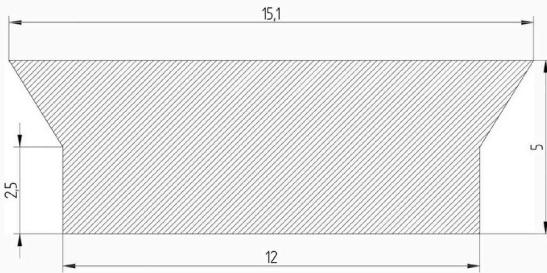
ISS. NO: 1	ISS. DATE 08.10.2013	AUTH: SP	REG NO: SED 1510
------------	----------------------	----------	------------------



ALL RADS 0.25MM MINIMUM UNLESS OTHERWISE STATED

WPS NO:	TOL'S: ISO 3302-1:2014(E) (unless otherwise stated)
TITLE: S/R Trapezium Section	NO: WS.60.1.
MATERIAL: General Purpose, 60°sh A Hardness	SCALE: NTS
COLOUR: Translucent	DRG NO: SED 1510
DIE NO: 2187/SB	ISSUE NO: 1

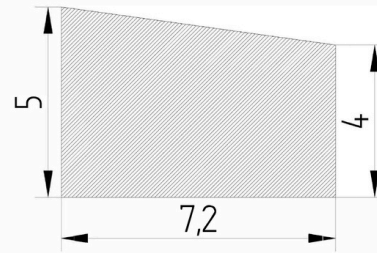
ISS. NO: 1	ISS. DATE: 07.10.213	AUTH: SP	REG NO: SED 1507
------------	----------------------	----------	------------------



ALL RADS 0.25MM MINIMUM UNLESS OTHERWISE STATED

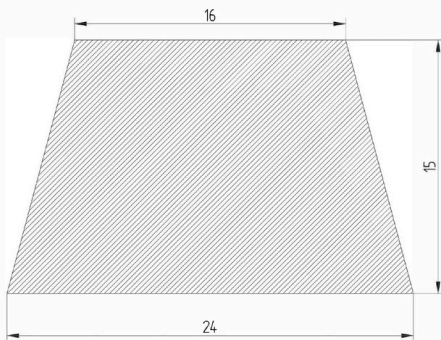
WPS NO:	TOL'S: ISO 3302-1:2014(E) (unless otherwise stated)
TITLE: S/R Trapezium Section	NO: WS.45.1.
MATERIAL: General Purpose, 45°sh A Hardness	SCALE: NTS
COLOUR: Translucent	DRG NO: SED 1507
DIE NO: 2165/SB	ISSUE NO: 1

ISS. NO: 1	ISS. DATE 07.10.2013	AUTH: SP	REG NO: SED 1504
------------	----------------------	----------	------------------



WPS NO:	TOL'S: ISO 3302-1:2014(E) (unless otherwise stated)
TITLE: S/R Section	NO: WS.70.1.
MATERIAL: General Purpose 70°sh A	SCALE:
COLOUR: Translucent	DRG NO:
DIE NO: 2191	ISSUE NO:

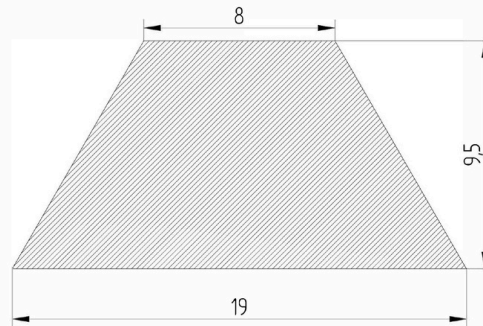
ISS. NO: 1	ISS. DATE 07.10.2013	AUTH: SP	REG NO: SED 1498
------------	----------------------	----------	------------------



ALL RADS 0.25MM MINIMUM UNLESS OTHERWISE STATED

WPS NO:	TOL'S: ISO 3302-1:2014(E) (unless otherwise stated)
TITLE: S/R Trapezium Section	NO: WS.40.1.
MATERIAL: General Purpose, 40°sh A Hardness	SCALE: NTS
COLOUR: Translucent	DRG NO: SED 1498
DIE NO: 2215/SB	ISSUE NO: 1

ISS. NO: 1	ISS. DATE 10.10.2013	AUTH: SP	REG NO: SED 1525
------------	----------------------	----------	------------------



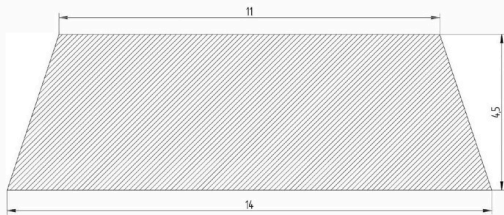
ALL RADS 0.25MM MINIMUM UNLESS OTHERWISE STATED

WPS NO:	TOL'S: ISO 3302-1:2014(E) (unless otherwise stated)
TITLE: S/R Trapezium Section	NO: WS.40.1.
MATERIAL: General Purpose, 40°sh A Hardness	SCALE: NTS
COLOUR: White	DRG NO: SED 1525
DIE NO: 2078/SB	ISSUE NO: 1

Trapezium Section



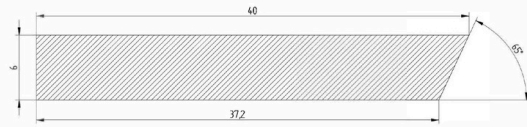
ISS. NO: 1	ISS. DATE 26.02.2014	AUTH: SP	REG NO: SED 1691
------------	----------------------	----------	------------------



ALL RADS 0.25MM MINIMUM UNLESS OTHERWISE SPECIFIED

WPS NO:	TOL'S: ISO 3302-2014 CLASS E1 (unless otherwise stated)
TITLE: S/R Trapezium Section	NO: WS.60.1.
MATERIAL: General Purpose, 60°sh A Hardness	SCALE: NTS
COLOUR: Red Oxide	DRG NO: SED 1691
DIE NO: 3593/SB	ISSUE NO: 1

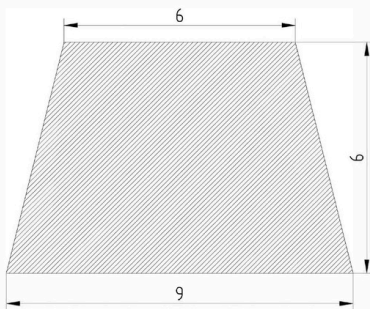
ISS. NO: 1	ISS. DATE 13.03.2014	AUTH: SP	REG NO: SED 1686
------------	----------------------	----------	------------------



ALL RADS 0.25MM UNLESS OTHERWISE STATED

WPS NO:	TOL'S: : ISO 3302-2014 E1 (unless otherwise stated)
TITLE: S/R Section	NO: WS.60.1.
MATERIAL: General Purpose, 60°sh A	SCALE:
COLOUR: Trans	DRG NO:
DIE NO: 3578/SB	ISSUE NO: 2 (Amended to 40mm)

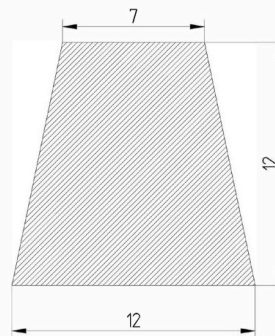
ISS. NO: 1	ISS. DATE 11.11.2016	AUTH: SP	REG NO: SED 1586
------------	----------------------	----------	------------------



ALL RADS 0.25MM MINIMUM UNLESS OTHERWISE STATED

WPS NO:	TOL'S: ISO 3302-1:2014(E) (unless otherwise stated)
TITLE: S/R Trapezium Section	NO: WS.60.1.
MATERIAL: General Purpose, 60°sh A Hardness	SCALE: NTS
COLOUR: Translucent	DRG NO: SED 1586
DIE NO: 1938/SB	ISSUE NO: 1

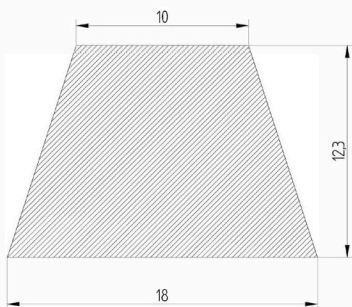
ISS. NO: 1	ISS. DATE 17.10.2013	AUTH: SP	REG NO: SED 1542
------------	----------------------	----------	------------------



ALL RADS 0.25MM MINIMUM UNLESS OTHERWISE STATED

WPS NO:	TOL'S: ISO 3302-1:2014(E) (unless otherwise stated)
TITLE: S/R Trapezium Section	NO: WS.60.1.
MATERIAL: General Purpose, 60°sh A Hardness	SCALE: NTS
COLOUR: Translucent	DRG NO: SED 1542
DIE NO: 2041/SB	ISSUE NO: 1

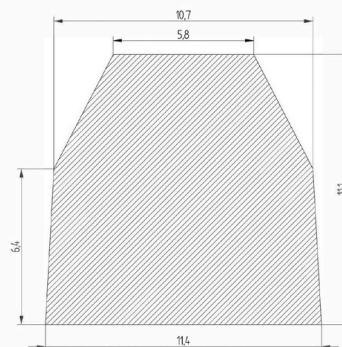
ISS. NO: 1	ISS. DATE 10.10.2013	AUTH: SP	REG NO: SED 1527
------------	----------------------	----------	------------------



ALL RADS 0.25MM MINIMUM UNLESS OTHERWISE STATED

WPS NO:	TOL'S: ISO 3302-1:2014(E) (unless otherwise stated)
TITLE: S/R Trapezium Section	NO: WS.55.1.
MATERIAL: General Purpose, 55°sh A Hardness	SCALE: NTS
COLOUR: Red Oxide	DRG NO: SED 1527
DIE NO: 2087/SB	ISSUE NO: 1

ISS. NO: 1	ISS. DATE: 07.05.2014	AUTH: SP	REG NO: SED 1738
------------	-----------------------	----------	------------------



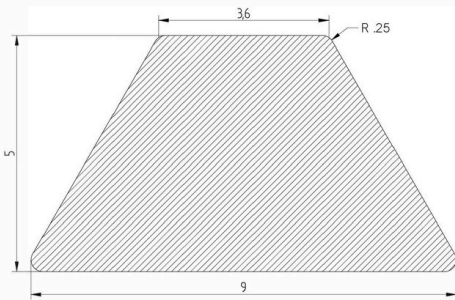
ALL RADS 0.25MM MINIMUM UNLESS OTHERWISE STATED

WPS NO:	TOL'S: ISO 3302-1:2014 E1
TITLE: Section	NO: WS.65.1.
MATERIAL: WS.65.1.	SCALE: NTS
COLOUR: Grey	DRG NO: SED 1738
DIE NO: 3631/sb	ISSUE NO: 1

Trapezium Section

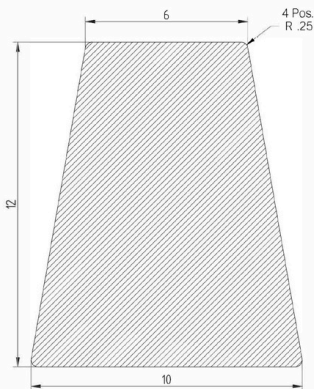


ISS. NO: 1	ISS. DATE: 25.05.17	AUTH: SP	REG NO: SED 2488
------------	---------------------	----------	------------------



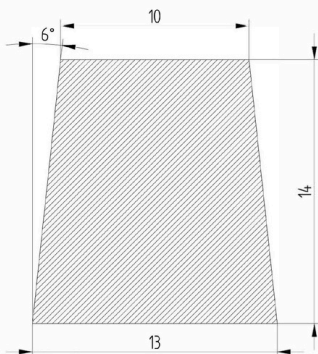
WPS NO:	TOL'S: ISO 3302-1:2014(E) (unless otherwise stated)
TITLE: S/R Profile	NO: WS.80.1.
MATERIAL: WS.80.1.	SCALE: -
COLOUR: Black	DRG NO:- 2488
DIE NO: 4178/sb	ISSUE NO: 1

ISS. NO: 1	ISS. DATE: 18.11.2015	AUTH: SP	REG NO: SED 2081
------------	-----------------------	----------	------------------



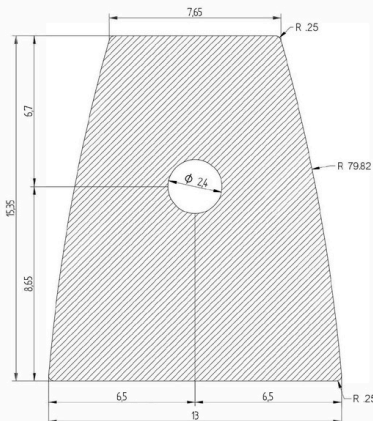
WPS NO:	TOL'S: ISO 3302-1:2014(E) (unless otherwise stated)
TITLE: Section	NO: WS.65.1.
MATERIAL: WS.65.1	SCALE: NTS
COLOUR: TBA	DRG NO: SED 2081
DIE NO: 4030/sb	ISSUE NO: 1

ISS. NO: 1	ISS. DATE 09.02.2015	AUTH: SP	REG NO: SED 1889
------------	----------------------	----------	------------------



WPS NO:	TOL'S: ISO 3302-1:2014(E) (unless otherwise stated)
TITLE: Section	NO: WS.50.1.
MATERIAL: WS.50.1.	SCALE: NTS
COLOUR: Black	DRG NO: SED 1889
DIE NO: 3820/sb	ISSUE NO: 1

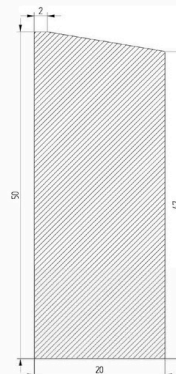
ISS. NO: 1	ISS. DATE: 19.05.2016	AUTH: SP	REG NO: SED 2182
------------	-----------------------	----------	------------------



ALL RADS 0.25MM MINIMUM UNLESS OTHERWISE STATED

WPS NO:	TOL'S: ISO 3302-1:2014(E1) (unless otherwise stated)
TITLE: S/R Section	NO: WS.75.1.
MATERIAL: General Purpose, 75°sh A Hardness	SCALE: NTS
COLOUR: Black	DRG NO: SED 2182
DIE NO: 4158/sb	ISSUE NO: 1

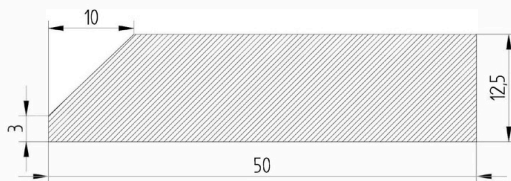
ISS. NO: 1	ISS. DATE: 11.06.2015	AUTH: SP	REG NO: SED 1955
------------	-----------------------	----------	------------------



ALL RADS 0.25MM UNLESS OTHERWISE SPECIFIED

WPS NO:	TOL'S: ISO 3302-2014 CLASS E1 (unless otherwise stated)
TITLE: S/R Section	NO: WS.60.1.
MATERIAL: General Purpose, 60°sh A	SCALE:
COLOUR: Translucent	DRG NO:
DIE NO: 3531/sb	ISSUE NO: 1

ISS. NO: 1	ISS. DATE: 09.10.2024	AUTH: SP	REG NO: SED 1829
------------	-----------------------	----------	------------------



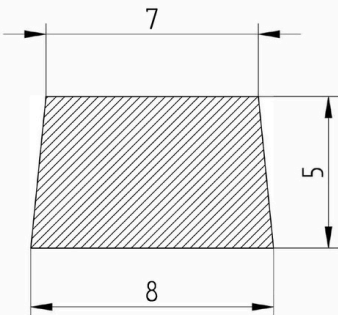
ALL RADS 0.25MM MINIMUM UNLESS OTHERWISE STATED

WPS NO:	TOL'S: ISO 3302-1:2014 E1
TITLE: Section	NO: WS.40.1.
MATERIAL: WS.40.1.	SCALE: NTS
COLOUR: Blue 3	DRG NO: SED 1829
DIE NO: 3736/sb	ISSUE NO: 1

Trapezium Section

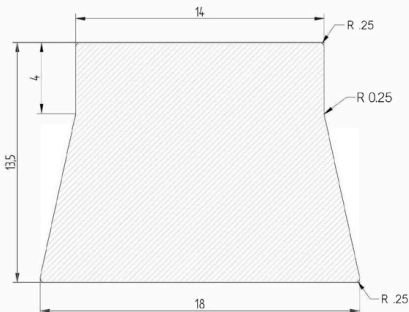


ISS. NO: 1	ISS. DATE: 01.10.2018	AUTH: JL	REG NO: SED 2693
------------	-----------------------	----------	------------------



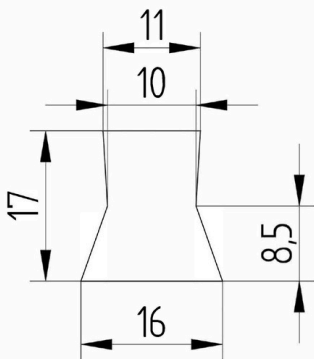
WPS NO:	TOL'S: ISO 3302-1:2014 E1 (unless otherwise stated)
TITLE: S/R Section	NO: WS.70.1
MATERIAL: WS.70.1	SCALE: NTS
COLOUR: Blue	DRG NO: 2693
DIE NO: 4652	ISSUE NO: 1

ISS. NO: 1	ISS. DATE: 04.10.2017	AUTH: sP	REG NO: SED 2584
------------	-----------------------	----------	------------------



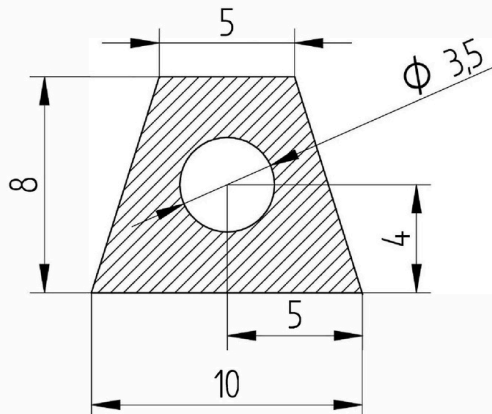
ALL RADS 0.25MM MINIMUM UNLESS OTHERWISE STATED	
WPS NO:	TOL'S: ISO 3302-1:2014 E1
TITLE: Section	NO: WS.60.1
MATERIAL: WS.60.1	SCALE: NTS
COLOUR: White	DRG NO: SED 2584
DIE NO: 4473	ISSUE NO: 1

ISS. NO: 1	ISS. DATE: 08.09.2017	AUTH: TH	REG NO: SED 2575
------------	-----------------------	----------	------------------



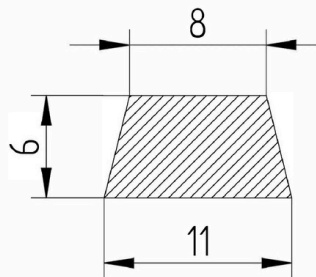
ALL RADS 0.25MM MINIMUM UNLESS OTHERWISE STATED	
WPS NO:	TOL'S: ISO 3302-1:2014 E1
TITLE: Section	NO: WS.50.1
MATERIAL: WS.50.1	SCALE: NTS
COLOUR: White	DRG NO: SED 2575
DIE NO: 4467	ISSUE NO: 1

ISS. NO: 1	ISS. DATE: 15.03.18	AUTH: JL	REG NO: SED 2640
------------	---------------------	----------	------------------



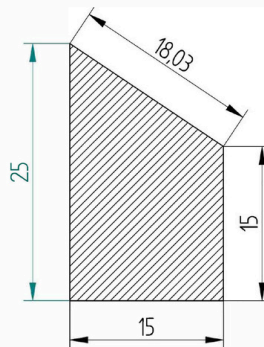
WPS NO:	TOL'S: ISO 3302-1:2014(E) (unless otherwise stated)
TITLE: S/R Profile	NO: WS.60.1
MATERIAL: WS.60.1	SCALE: -
COLOUR: TBA	DRG NO: 2640
DIE NO: 4562	ISSUE NO: 1

ISS. NO: 1	ISS. DATE: 22.09.2017	AUTH: TH	REG NO: SED 2580
------------	-----------------------	----------	------------------



ALL RADS 0.25MM MINIMUM UNLESS OTHERWISE STATED	
WPS NO:	TOL'S: ISO 3302-1:2014 E1
TITLE: Section	NO: WS.60.1
MATERIAL: WS.60.1	SCALE: NTS
COLOUR: Trans	DRG NO: SED 2580
DIE NO: 4472	ISSUE NO: 1

ISS. NO: 1	ISS. DATE: 12.10.2018	AUTH: JL	REG NO: SED 2696
------------	-----------------------	----------	------------------

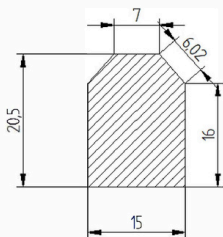


WPS NO: G37369	TOL'S: ISO 3302-1:2014 E1 (unless otherwise stated)
TITLE: S/R Section	NO: WS.40.5
MATERIAL: WS.40.5	SCALE: NTS
COLOUR: RIOX	DRG NO: 2696
DIE NO: 4654	ISSUE NO: 1

Trapezium Section

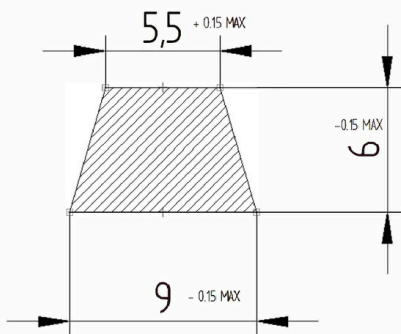


ISS. NO: 1 ISS. DATE: 26.04.21 AUTH: KD REG NO: SED 2614



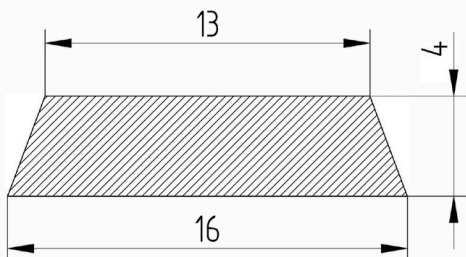
WPS NO:	TOL'S: ISO 3302-1:2014 E1 (unless otherwise stated)
TITLE: S/R Section	NO: WS.60.1
MATERIAL: WS.60.1	SCALE: NTS
COLOUR: RIOX	DRG NO: 2914
DIE NO: 4957	ISSUE NO: 1

ISS. NO: 1 ISS. DATE: 27.10.2020 AUTH: KD REG NO: SED 2889



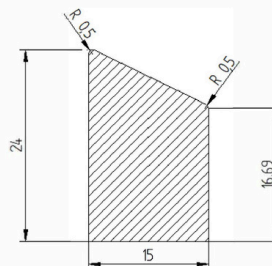
WPS NO:	TOL'S: ISO 3302-1:2014 E1 (unless otherwise stated)
TITLE: S/R Section	NO: WS.60.1.
MATERIAL: WS.60.1.	SCALE: NTS
COLOUR: Trans	DRG NO: 2889
DIE NO: 4918	ISSUE NO: 1

ISS. NO: 1 ISS. DATE: 28.05.20 AUTH: KD REG NO: SED 2847



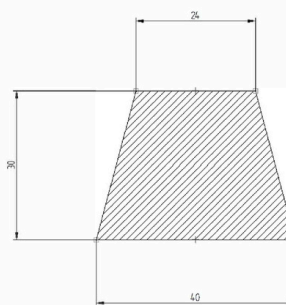
WPS NO:	TOL'S: ISO 3302-1:2014 E1 (unless otherwise stated)
TITLE: S/R Section	NO: WS.60.1.
MATERIAL: WS.60.1.	SCALE: NTS
COLOUR:	DRG NO: 2847
DIE NO: 4851	ISSUE NO: 1

ISS. NO: 1 ISS. DATE: 01.03.2021 AUTH: KD REG NO: SED 2911



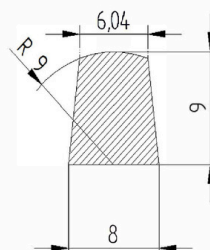
WPS NO:	TOL'S: ISO 3302-1:2014 E1 (unless otherwise stated)
TITLE: S/R Trapezium Section	NO: WS.45.1
MATERIAL: WS.45.1	SCALE: NTS
COLOUR: Trans	DRG NO: 2911
DIE NO: 4956	ISSUE NO:1

ISS. NO: 1 ISS. DATE: 08.10.2020 AUTH: KD REG NO: SED 2884



WPS NO:	TOL'S: ISO 3302-1:2014 E1 (unless otherwise stated)
TITLE: S/R Section	NO: WS.70.1
MATERIAL: WS.70.1.	SCALE: NTS
COLOUR: Red	DRG NO: 2884
DIE NO: 4909	ISSUE NO: 1

ISS. NO: 1 ISS. DATE 19.08.2021 AUTH: KD REG NO: SED 2924

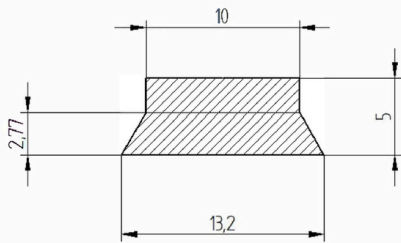


WPS NO: 243828	TOL'S: ISO 3302-1:2014 E1 (unless otherwise stated)
TITLE: S/R Section	NO: WS.60.1.
MATERIAL: WS.60.1	SCALE: NTS
COLOUR: Trans	DRG NO: 2924
DIE NO: 4985	ISSUE NO: 1

Trapezium Section

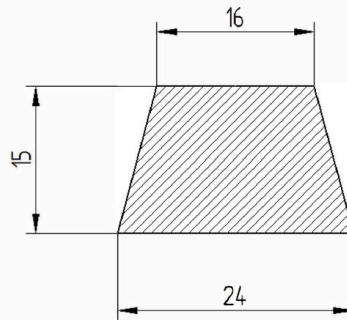


ISS. NO: 1 ISS. DATE 15.03.2022 AUTH: KD REG NO: SED 3493



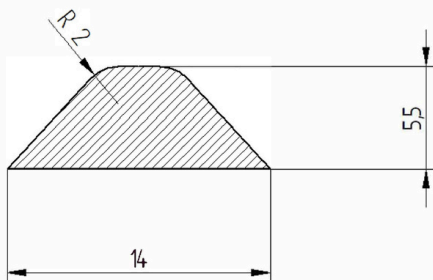
WPS NO: 79354b	TOL'S: ISO 3302-1:2014 E1 (unless otherwise stated)
TITLE: S/R Section	NO: Ws.45.1
MATERIAL: WS.45.1	SCALE: NTS
COLOUR: Trans	DRG NO: 3493
DIE NO: 1878	ISSUE NO: 1

ISS. NO: 1 ISS. DATE 10.03.2022 AUTH: KD REG NO: SED 3448



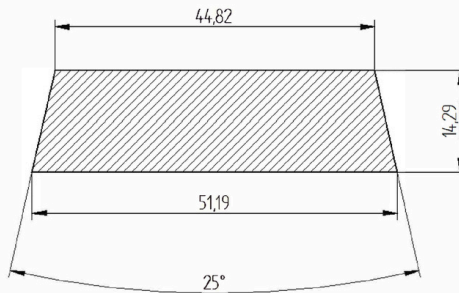
WPS NO: G13683	TOL'S: ISO 3302-1:2014 E1 (unless otherwise stated)
TITLE: S/R Section	NO: WS.45.1
MATERIAL: WS.45.1	SCALE: NTS
COLOUR: Trans	DRG NO: 3448
DIE NO: 2215	ISSUE NO: 1

ISS. NO: 1 ISS. DATE 09.03.2022 AUTH: KD REG NO: SED 3431



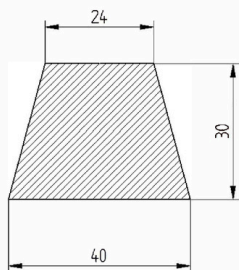
WPS NO: 94613b	TOL'S: ISO 3302-1:2014 E1 (unless otherwise stated)
TITLE: S/R Section	NO: WS.55.1.
MATERIAL: WS.55.1.	SCALE: NTS
COLOUR: Blue2	DRG NO: 3431
DIE NO: 2296	ISSUE NO: 1

ISS. NO: 1 ISS. DATE 03.03.2022 AUTH: KD REG NO: SED 3391



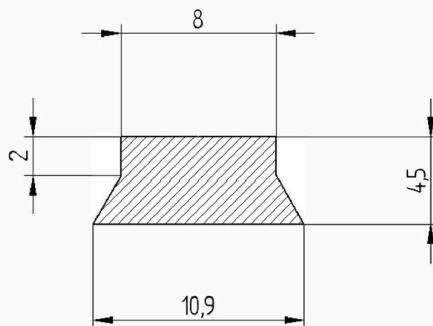
WPS NO: 106515e	TOL'S: ISO 3302-1:2014 E1 (unless otherwise stated)
TITLE: S/R Section	NO: Ws.60.1.
MATERIAL: WS.60.1.	SCALE: NTS
COLOUR: White	DRG NO: 3391
DIE NO: 2456	ISSUE NO: 1

ISS. NO: 1 ISS. DATE 03.03.2022 AUTH: KD REG NO: SED 3382



WPS NO:	TOL'S: ISO 3302-1:2014 E1 (unless otherwise stated)
TITLE: S/R Section	NO: WS.50/60
MATERIAL: WS.50/60	SCALE: NTS
COLOUR:	DRG NO: 3382
DIE NO: 1579	ISSUE NO: 1

ISS. NO: 1 ISS. DATE 15.03.2022 AUTH: KD REG NO: SED 3494

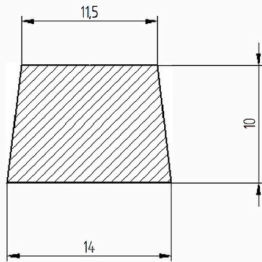


WPS NO: 79354c	TOL'S: ISO 3302-1:2014 E1 (unless otherwise stated)
TITLE: S/R Section	NO: Ws.45.1
MATERIAL: WS.45.1	SCALE: NTS
COLOUR: Trans	DRG NO: 3494
DIE NO: 1874	ISSUE NO: 1

Trapezium Section

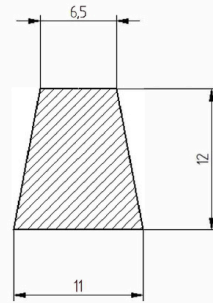


ISS. NO: 1 ISS. DATE 04.04.2023 AUTH: KD REG NO: SED 3520



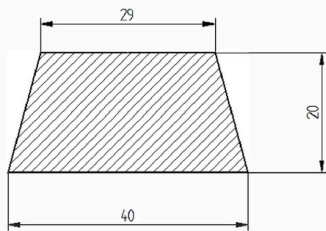
WPS NO:	TOL'S: ISO 3302-1:2014 E1 (unless otherwise stated)
TITLE: S/R Section	NO: WS.55.1
MATERIAL: WS.55.1	SCALE: NTS
COLOUR: Red	DRG NO: 3520
DIE NO: 1571	ISSUE NO: 1

ISS. NO: 1 ISS. DATE 04.04.2023 AUTH: KD REG NO: SED 3519



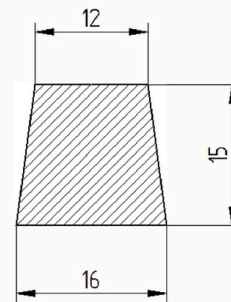
WPS NO:	TOL'S: ISO 3302-1:2014 E1 (unless otherwise stated)
TITLE: S/R Section	NO: NGP 60
MATERIAL: NGP 60	SCALE: NTS
COLOUR: Trans	DRG NO: 3519
DIE NO: 1585	ISSUE NO: 1

ISS. NO: 1 ISS. DATE 04.04.2022 AUTH: KD REG NO: SED 3516



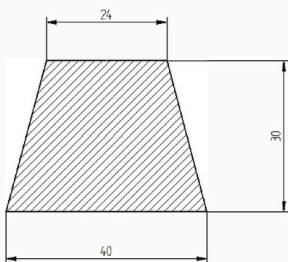
WPS NO:	TOL'S: ISO 3302-1:2014 E1 (unless otherwise stated)
TITLE: S/R Section	NO: WS.55.1.
MATERIAL: WS.55.1.	SCALE: NTS
COLOUR: RIOX	DRG NO: 3516
DIE NO: 1632	ISSUE NO: 1

ISS. NO: 1 ISS. DATE 04.04.2022 AUTH: KD REG NO: SED 3515



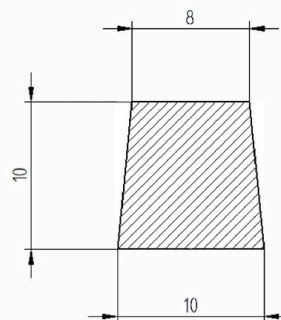
WPS NO: G14316	TOL'S: ISO 3302-1:2014 E1 (unless otherwise stated)
TITLE: S/R Section	NO: NGP 60
MATERIAL: NGP 60	SCALE: NTS
COLOUR: Trans	DRG NO: 3515
DIE NO: 1645	ISSUE NO: 1

ISS. NO: 1 ISS. DATE 04.04.2022 AUTH: KD REG NO: SED 3511



WPS NO: G13105a	TOL'S: ISO 3302-1:2014 E1 (unless otherwise stated)
TITLE: S/R Section	NO: WS.50.4
MATERIAL: WS.50.4	SCALE: NTS
COLOUR: RIOX	DRG NO: 3511
DIE NO: 1690	ISSUE NO: 1

ISS. NO: 1 ISS. DATE 05.04.2023 AUTH: KD REG NO: SED 3530

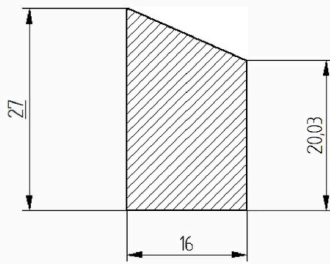


WPS NO:	TOL'S: ISO 3302-1:2014 E1 (unless otherwise stated)
TITLE: S/R Section	NO: WS.70.1.
MATERIAL: WS.70.1.	SCALE: NTS
COLOUR: White	DRG NO: 3530
DIE NO: 1344	ISSUE NO: 1

Trapezium Section

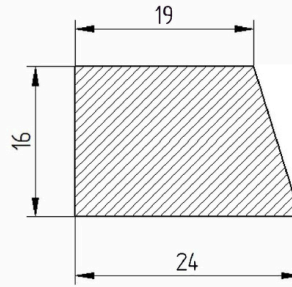


ISS. NO: 1 ISS. DATE 13.04.2022 AUTH: KD REG NO: SED 3629



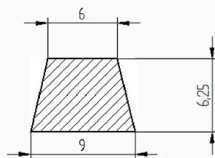
WPS NO: 165225a	TOL'S: ISO 3302-1:2014 E1 (unless otherwise stated)
TITLE: S/R Section	NO: WS.35.1
MATERIAL: WS.35.1	SCALE: NTS
COLOUR: White	DRG NO: 3629
DIE NO: 3968	ISSUE NO: 1

ISS. NO: 1 ISS. DATE 11.04.2022 AUTH: KD REG NO: SED 3600



WPS NO: 160561	TOL'S: ISO 3302-1:2014 E1 (unless otherwise stated)
TITLE: S/R Section	NO: WS.60.1.
MATERIAL: WS.60.1.	SCALE: NTS
COLOUR: White	DRG NO: 3600
DIE NO: 3868	ISSUE NO: 1

ISS. NO: 1 ISS. DATE 06.04.2022 AUTH: KD REG NO: SED 3542



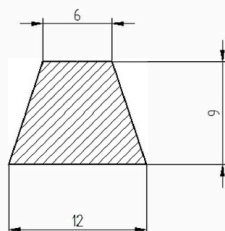
WPS NO:	TOL'S: ISO 3302-1:2014 E1 (unless otherwise stated)
TITLE: S/R Section	NO: WS.70.1.
MATERIAL: WS.70.1.	SCALE: NTS
COLOUR: Trans	DRG NO: 3542
DIE NO: 817	ISSUE NO: 1

ISS. NO: 1 ISS. DATE 05.04.2022 AUTH: KD REG NO: SED 3535



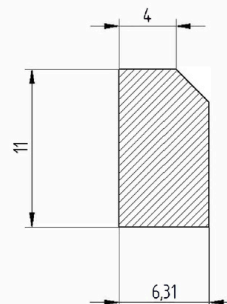
WPS NO:	TOL'S: ISO 3302-1:2014 E1 (unless otherwise stated)
TITLE: S/R Section	NO: WS.50.1.
MATERIAL: WS.50.1.	SCALE: NTS
COLOUR: White	DRG NO: 3535
DIE NO: 1205	ISSUE NO: 1

ISS. NO: 1 ISS. DATE 05.04.2022 AUTH: KD REG NO: SED 3534



WPS NO:	TOL'S: ISO 3302-1:2014 E1 (unless otherwise stated)
TITLE: S/R Section	NO: WS.60.1.
MATERIAL: WS.60.1.	SCALE: NTS
COLOUR: Trans	DRG NO: 3534
DIE NO: 1339	ISSUE NO: 1

ISS. NO: 1 ISS. DATE 13.04.2022 AUTH: KD REG NO: SED 3631

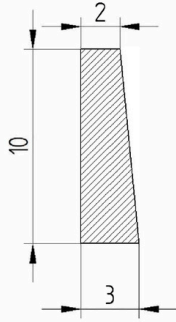


WPS NO: 164952b	TOL'S: ISO 3302-1:2014 E1 (unless otherwise stated)
TITLE: S/R Section	NO: Fluorosilicone 40
MATERIAL: Fluorosilicone 40	SCALE: NTS
COLOUR: Black	DRG NO: 3631
DIE NO: 3970	ISSUE NO: 1

Trapezium Section

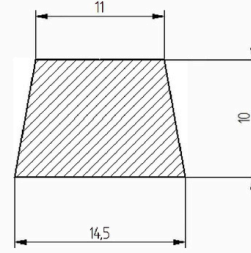


ISS. NO: 1 ISS. DATE 08.06.2022 AUTH: KD REG NO: SED 3874



WPS NO: G39342	TOL'S: ISO 3302-1:2014 E1 (unless otherwise stated)
TITLE: S/R Section	NO: WS.60.1.
MATERIAL: WS.60.1.	SCALE: NTS
COLOUR: Trans	DRG NO: 3874
DIE NO: 4966	ISSUE NO: 1

ISS. NO: 1 ISS. DATE 10.06.2022 AUTH: KD REG NO: SED 3901



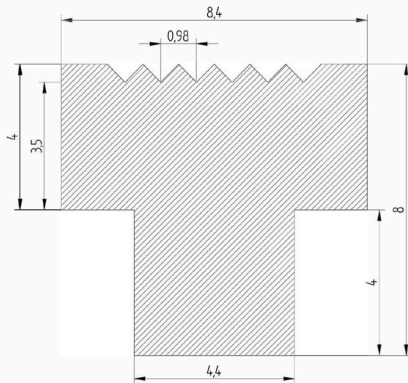
WPS NO: G39899a	TOL'S: ISO 3302-1:2014 E1 (unless otherwise stated)
TITLE: S/R Section	NO: WS.65.1
MATERIAL: WS.65.1.	SCALE: NTS
COLOUR: Red	DRG NO: 3901
DIE NO: 5032	ISSUE NO: 1

T Section Pips

T Section Pips



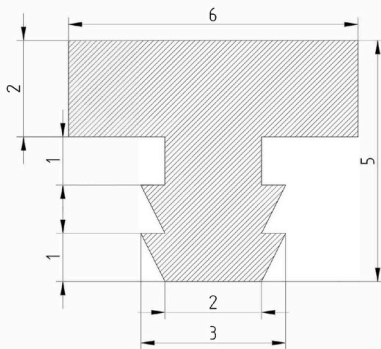
ISS. NO: 1	ISS. DATE 17.09.2013	AUTH: SP	REG NO: SED 0216
------------	----------------------	----------	------------------



MINIMUM RADS 0.25MM UNLESS OTHERWISE STATED

WPS NO:	TOL'S: ISO 3302-2014 E1 (unless otherwise stated)
TITLE: S/R 'T' Section	NO: WS.60.1.
MATERIAL: General Purpose, 60°sh A Hardness	SCALE: NTS
COLOUR: Red Oxide	DRG NO: SED 0216
DIE NO: 1046/SB	ISSUE NO: 1

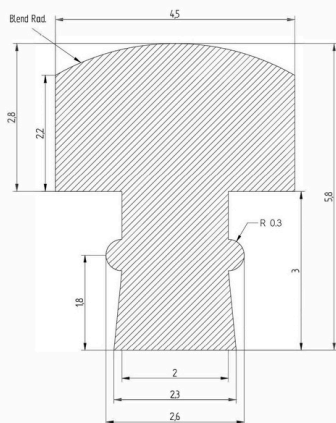
ISS. NO: 1	ISS. DATE 16.08.2013	AUTH: SP	REG NO: SED 0612
------------	----------------------	----------	------------------



ALL RADS 0.25MM MINIMUM UNLESS OTHERWISE STATED

WPS NO:	TOL'S: ISO 3302-1:2014(E) (unless otherwise stated)
TITLE: S/R 'T' Section	NO: WS.70.1.
MATERIAL: General Purpose, 70°sh A Hardness	SCALE: NTS
COLOUR: Blue 3	DRG NO: SED 0612
DIE NO: 2122/SB	ISSUE NO: 1

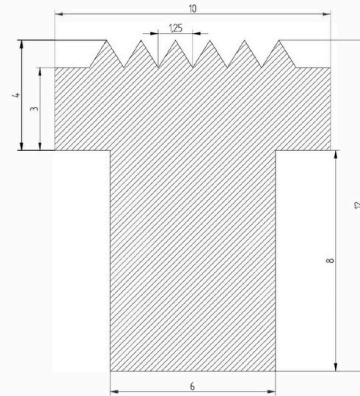
ISS. NO: 1	ISS. DATE 11.08.2016	AUTH: SP	REG NO: SED 0414
------------	----------------------	----------	------------------



MINIMUM RADS 0.25MM UNLESS OTHERWISE STATED

WPS NO:	TOL'S: ISO 3302-2014 E1 (unless otherwise stated)
TITLE: S/R 'T' Section	NO: WS.40/60/80.1.
MATERIAL: General Purpose, 40/60/80°sh A	SCALE: NTS
COLOUR: Red Oxide	DRG NO: SED 0414
DIE NO: 1573 (40°sh) / 1574 (60°sh) / 1575 (80°sh)	ISSUE NO: 1

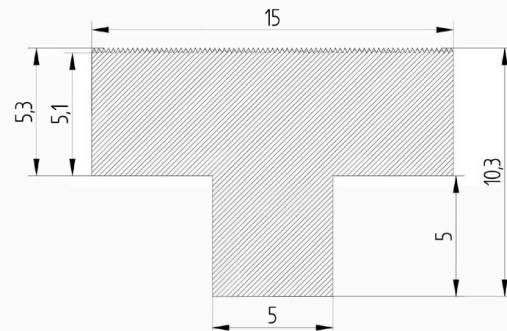
ISS. NO: 1	ISS. DATE 17.09.2013	AUTH: SP	REG NO: SED 0141
------------	----------------------	----------	------------------



MINIMUM RADS 0.25MM UNLESS OTHERWISE STATED

WPS NO:	TOL'S: ISO 3302-2014 E1 (unless otherwise stated)
TITLE: S/R 'T' Section	NO: WS.80.1
MATERIAL: General Purpose, 80°sh A Hardness	SCALE: NTS
COLOUR: Red Oxide	DRG NO: SED 0141
DIE NO: 847/SB	ISSUE NO: 1

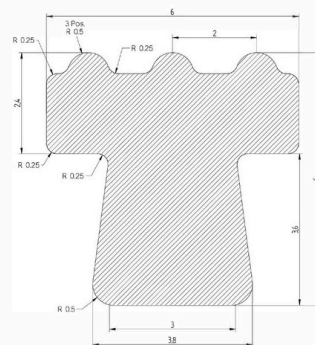
ISS. NO: 1	ISS. DATE 24.09.2013	AUTH: SP	REG NO: SED 0428
------------	----------------------	----------	------------------



ALL RADS 0.25MM MINIMUM UNLESS OTHERWISE STATED

WPS NO:	TOL'S: ISO 3302-2014 E1 (unless otherwise stated)
TITLE: S/R 'T' Section	NO: NGP.60.
MATERIAL: Platinum Cured, 60°sh A Hardness	SCALE: NTS
COLOUR: Translucent	DRG NO: SED 0428
DIE NO: 1616/SB	ISSUE NO: 1

ISS. NO: 1	ISS. DATE 03.08.2016	AUTH: SP	REG NO: SED 0412
------------	----------------------	----------	------------------



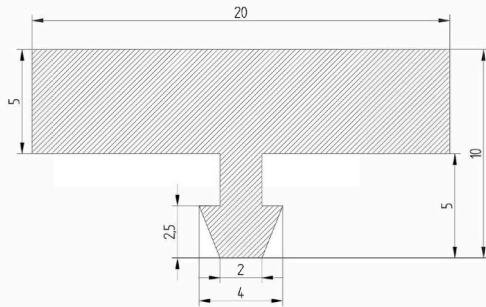
ALL RADS 0.25MM MINIMUM UNLESS OTHERWISE STATED

WPS NO:	TOL'S: ISO 3302-2014 E1 (unless otherwise stated)
TITLE: S/R 'T' Section	NO: WS.80.1.
MATERIAL: General Purpose, 80°sh A Hardness	SCALE: NTS
COLOUR: Black	DRG NO: SED 0412
DIE NO: 1565/SB	ISSUE NO: 1

T Section Pips

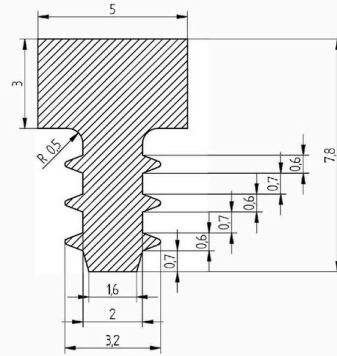


ISS. NO: 1	ISS. DATE 11.08.2016	AUTH: SP	REG NO: SED 0849
------------	----------------------	----------	------------------



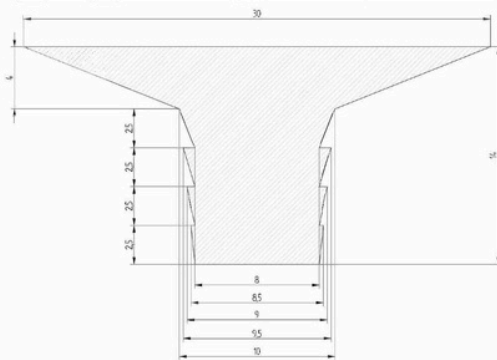
ALL RADS 0.25MM MINIMUM UNLESS OTHERWISE STATED	
WPS NO	TOLERANCES : ISO 3302-1:2014(E) (unless otherwise stated)
TITLE: S/R 'T' Section	NO: WS.70.1.
MATERIAL: General Purpose, 70°sh A Hardness	SCALE: NTS
COLOUR: Translucent	DRG NO: SED 0849
DIE NO: 2449/SB	ISSUE NO: 1

ISS. NO: 1	ISS. DATE: 24.06.2008	AUTH: SP	REG NO: SED 0726
------------	-----------------------	----------	------------------



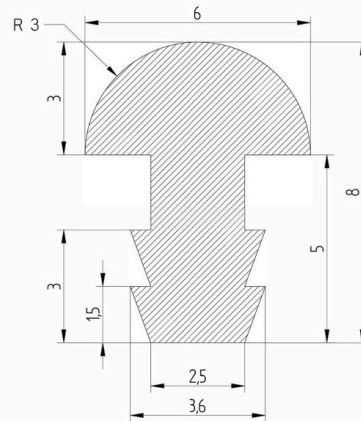
ALL RADS 0.25MM MINIMUM UNLESS OTHERWISE STATED	
WPS NO:	TOL'S: ISO 3302-1:2014(E) (unless otherwise stated)
TITLE: Section	NO: WS.60.1.
MATERIAL: WS.60.1	SCALE: NTS
COLOUR: Light Green	DRG NO: SED 0726
DIE NO: 2377/sb	ISSUE NO: 1

ISS. NO: 1	ISS. DATE: 19.08.2013	AUTH: SP	REG NO: SED 0624
------------	-----------------------	----------	------------------



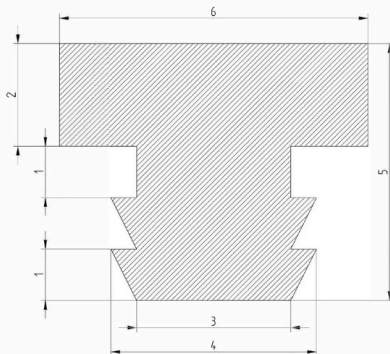
*Die 2175 is made to Issue 1 SED, NOT Issue 2	
ALL RADS 0.25MM MINIMUM UNLESS OTHERWISE STATED	
WPS NO: 90324	TOL'S: ISO 3302-1:2014(E) (unless otherwise stated)
TITLE: S/R Section	NO: WS.70.1.
MATERIAL: General Purpose, 70°sh A Hardness	SCALE: NTS
COLOUR: Grey 8	DRG NO: SED 0624
DIE NO: 2175/SB	ISSUE NO: 1

ISS. NO: 2	ISS. DATE 08.10.2013	AUTH: SP	REG NO: SED 0613
------------	----------------------	----------	------------------



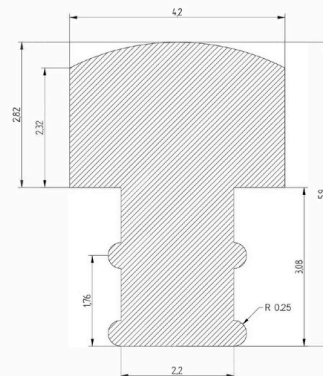
ALL RADS 0.25MM MINIMUM UNLESS OTHERWISE STATED	
WPS NO:	TOL'S: ISO 3302-1:2014(E) (unless otherwise stated)
TITLE: S/R Mushroom Section	NO: WS.70.1.
MATERIAL: General Purpose, 70°sh A Hardness	SCALE: NTS
COLOUR: Blue 3	DRG NO: SED 0613 ISS. 2
DIE NO: 2137/SB	ISSUE NO: 2

ISS. NO: 2	ISS. DATE 16.08.2013	AUTH: SP	REG NO: SED 0612
------------	----------------------	----------	------------------



ALL RADS 0.25MM MINIMUM UNLESS OTHERWISE STATED	
WPS NO:	TOL'S: ISO 3302-1:2014(E) (unless otherwise stated)
TITLE: S/R T Section	NO: WS.70.1.
MATERIAL: General Purpose 70°sh A	SCALE: NTS
COLOUR: Blue 3	DRG NO: SED 0612
DIE NO: 2138/SB	ISSUE NO: 2

ISS. NO: 1	ISS. DATE 27.01.2010	AUTH: AH	REG NO: SED 0869
------------	----------------------	----------	------------------

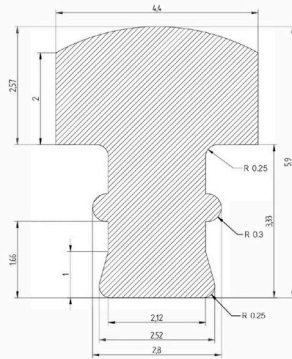


ALL RADS 0.25MM MINIMUM UNLESS OTHERWISE STATED	
WPS NO:	TOLERANCES : ISO 3302-1:2014(E) (unless otherwise stated)
TITLE: S/R 'T' Section	F NO: WS.60.1.
MATERIAL: General Purpose, 60°sh A Hardness	SCALE: NTS
COLOUR: Blue	DRG NO: SED 0869
DIE NO: 2482/SB	ISSUE NO: 1

T Section Pips

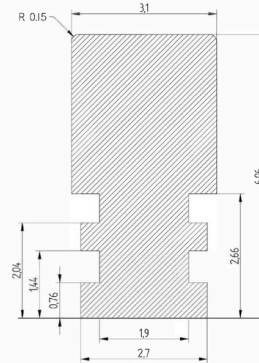


ISS. NO: 1	ISS. DATE 15.08.2011	AUTH: AH	REG NO: SED 1028
------------	----------------------	----------	------------------



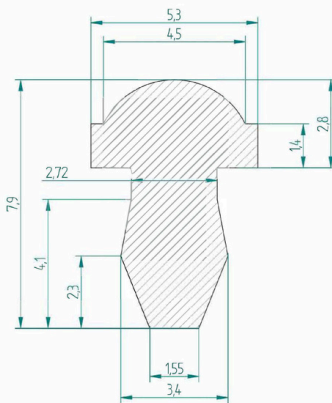
WPS NO:	TOL'S: ISO 3302-1:2014(E1) (unless otherwise stated)
TITLE: S/R 'T' Section	NO: WS.75.1.
MATERIAL: General Purpose, 75°sh A Hardness	SCALE: NTS
COLOUR: Red Oxide	DRG NO: SED 1028
DIE NO: 2929/SB	ISSUE NO: 1

ISS. NO: 1	ISS. DATE 05.05.2011	AUTH: AH	REG NO: SED 0992
------------	----------------------	----------	------------------



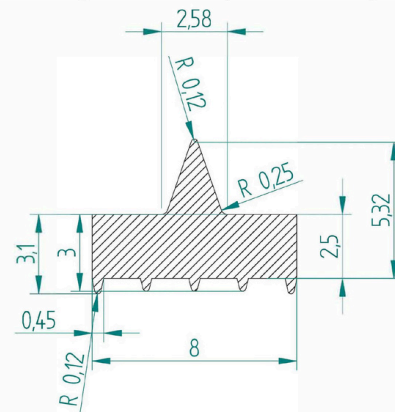
WPS NO:	TOL'S: ISO 3302-1:2014(E) (unless otherwise stated)
TITLE: S/R 'T' Section	NO: WS.75.1.
MATERIAL: General Purpose, 75°sh A Hardness	SCALE: NTS
COLOUR: Red Oxide	DRG NO: SED 0992
DIE NO: 2871/SB	ISSUE NO: 1

ISS. NO: 1	ISS. DATE 05.04.11	AUTH: AH	REG NO: SED 0977
------------	--------------------	----------	------------------



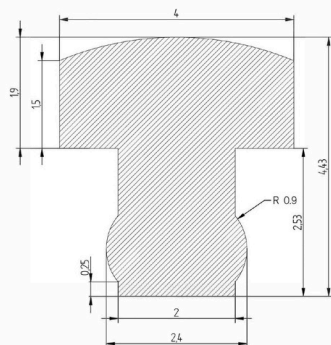
WPS NO:	TOL'S: ISO 3302-1:2014(E) (unless otherwise stated)
TITLE: S/R PROFILE	NO: WS.60.1.
MATERIAL: WS.60.1.	SCALE:
COLOUR: RIOX	DRG NO: SED 0977
DIE NO: 2847	ISSUE NO:1

ISS. NO: 1	ISS. DATE: 31.03.10	AUTH: AH	REG NO: SED 0890
------------	---------------------	----------	------------------



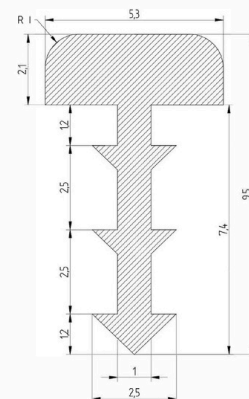
WPS NO:	TOL'S: ISO 3302-1:2014(E) (unless otherwise stated)
TITLE: S/R PROFILE	NO:
MATERIAL: WS.55-60.1.R	SCALE: -
COLOUR: RED	DRG NO:-
DIE NO:	ISSUE NO:

ISS. NO: 1	ISS. DATE 30.03.2010	AUTH: AH	REG NO: SED 0889
------------	----------------------	----------	------------------



WPS NO:	TOL'S: ISO 3302-1:2014(E) (unless otherwise stated)
TITLE: S/R 'T' Section	NO: WS.60.1.
MATERIAL: General Purpose, 60°sh A Hardness	SCALE: NTS
COLOUR: Grey	DRG NO: SED 0889
DIE NO: 2514/SB	ISSUE NO: 1

ISS. NO: 1	ISS. DATE 17.08.2011	AUTH: AH	REG NO: SED 1033
------------	----------------------	----------	------------------

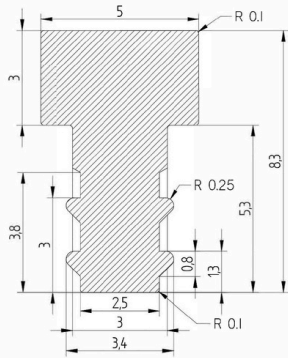


WPS NO:	TOL'S: ISO 3302-1:2014(E) (unless otherwise stated)
TITLE: S/R 'T' Section	NO: WS.60.1.
MATERIAL: General Purpose, 60°sh A Hardness	SCALE: NTS
COLOUR: Translucent	DRG NO: SED 1033
DIE NO: 2964/SB	ISSUE NO: 1

T Section Pips

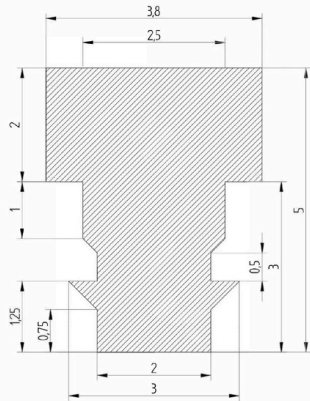


ISS. NO: 1	ISS. DATE 21.08.2013	AUTH: SP	REG NO: SED 1324
------------	----------------------	----------	------------------



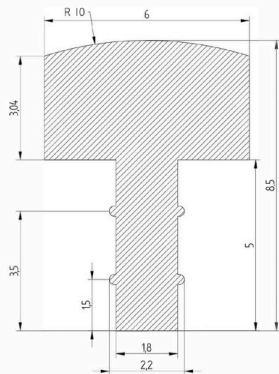
ALL RADS 0.25MM MINIMUM UNLESS OTHERWISE STATED	
WPS NO:	TOL'S: ISO 3302-1:2014(E) (unless otherwise stated)
TITLE: S/R 'T' Section	NO: NGP.50.
MATERIAL: Platinum Cured, 50°sh A Hardness	SCALE: NTS
COLOUR: White	DRG NO: SED 1324
DIE NO: 2322/SB	ISSUE NO: 1

ISS. NO: 1	ISS. DATE 03.08.2016	AUTH: SP	REG NO: SED 1152
------------	----------------------	----------	------------------



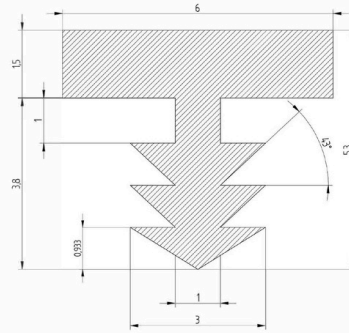
ALL RADS 0.25MM MINIMUM UNLESS OTHERWISE STATED	
WPS NO:	TOL'S: ISO 3302-1:2014(E) (unless otherwise stated)
TITLE: S/R 'T' Section	NO: WS.60.1.
MATERIAL: General Purpose, 60°sh A Hardness	SCALE: NTS
COLOUR: Blue	DRG NO: SED 1152
DIE NO: 3200/SB	ISSUE NO: 1

ISS. NO: 1	ISS. DATE: 03.06.2016	AUTH: SP	REG NO: SED 1150
------------	-----------------------	----------	------------------



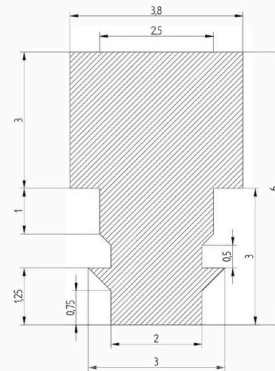
ALL RADS 0.25MM MINIMUM UNLESS OTHERWISE STATED	
WPS NO:	TOL'S: ISO 3302-1:2014 E1 (unless otherwise stated)
TITLE: Silicone Rubber 'T' Section	NO: WS.75.1.
MATERIAL: General Purpose, 75°sh A Hardness	SCALE: NTS
COLOUR: TBA	DRG NO: SED 1150
DIE NO: 3192/SB	ISSUE NO: 1

ISS. NO: 2	ISS. DATE 16.08.2013	AUTH: SP	REG NO: SED 1313
------------	----------------------	----------	------------------



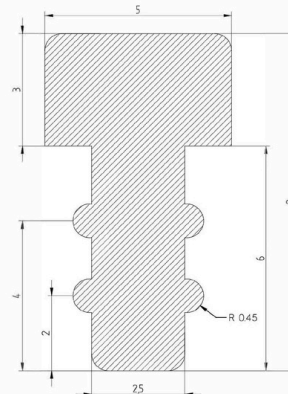
WPS NO:	TOL'S: ISO 3302-1:2014(E) (unless otherwise stated)
TITLE: Silicone Rubber 'T' Section	NO: WS.80.4.
MATERIAL: High Temperature to 250°c, 80°sh	SCALE: NTS
COLOUR: Blue 3	DRG NO: SED 1313
DIE NO: 2107/SB	ISSUE NO: 1

ISS. NO: 1	ISS. DATE 02.06.2016	AUTH: SP	REG NO: SED 1151
------------	----------------------	----------	------------------



ALL RADS 0.25MM MINIMUM UNLESS OTHERWISE STATED	
WPS NO:	TOL'S: ISO 3302-1:2014(E) (unless otherwise stated)
TITLE: S/R 'T' Section	NO: WS.60.1.
MATERIAL: General Purpose, 60°sh A Hardness	SCALE: NTS
COLOUR: Blue	DRG NO: SED 1151
DIE NO: 3198/SB	ISSUE NO: 1

ISS. NO: 1	ISS. DATE 27.08.2013	AUTH: SP	REG NO: SED 1333
------------	----------------------	----------	------------------

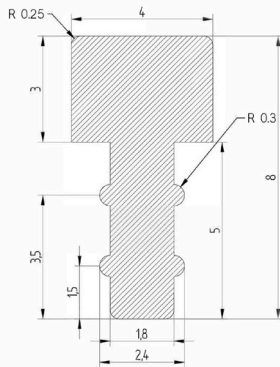


MINIMUM RADS 0.25MM UNLESS OTHERWISE STATED	
WPS NO:	TOL'S: ISO 3302-1:2014(E) (unless otherwise stated)
TITLE: S/R 'T' Section	NO: WS.80.1.
MATERIAL: General Purpose, 80°sh A Hardness	SCALE: NTS
COLOUR: Orange (Special RAL 2004)	DRG NO: C063
DIE NO: 2568/SB	ISSUE NO: 1

T Section Pips

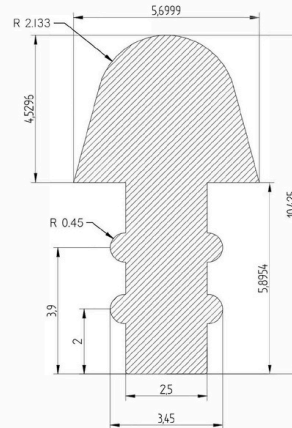


ISS. NO: 1	ISS. DATE 28.8.2013	AUTH: SP	REG NO: SED 1343
------------	---------------------	----------	------------------



WPS NO:	TOL'S: ISO 3302-1:2014(E) (unless otherwise stated)
TITLE: S/R T Section	NO: WS.80.1.
MATERIAL: General Purpose 80°sh A	SCALE: NTS
COLOUR: Orange	DRG NO: SED 1343
DIE NO: 2656/SB	ISSUE NO: 1

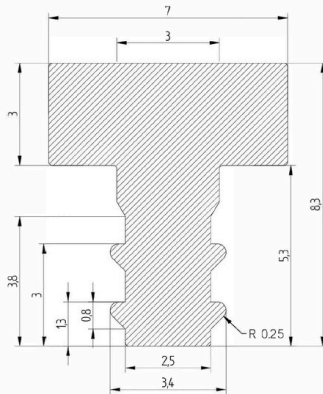
ISS. NO: 1	ISS. DATE 28.08.2013	AUTH: SP	REG NO: SED 1342
------------	----------------------	----------	------------------



ALL RADS 0.25MM MINIMUM UNLESS OTHERWISE STATED

WPS NO:	TOL'S: ISO 3302-1:2014(E) (unless otherwise stated)
TITLE: S/R Mushroom Section	NO: WS.80.1.
MATERIAL: General Purpose, 80°sh A Hardness	SCALE: NTS
COLOUR: Purple PMS2612	DRG NO: SED 1342
DIE NO: 2655/SB	ISSUE NO: 1

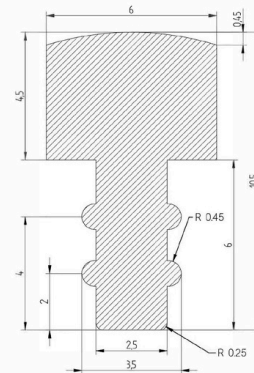
ISS. NO: 1	ISS. DATE 28.08.2013	AUTH: SP	REG NO: SED 1340
------------	----------------------	----------	------------------



MINIMUM RADS 0.25MM UNLESS OTHERWISE STATED

WPS NO:	TOL'S: ISO 3302-1:2014(E) (unless otherwise stated)
TITLE: S/R 'T' Section	NO: NGP.50.
MATERIAL: Platinum Cured 50°sh A	SCALE: NTS
COLOUR: White	DRG NO: SED 1340
DIE NO: 2640/SB	ISSUE NO: 1

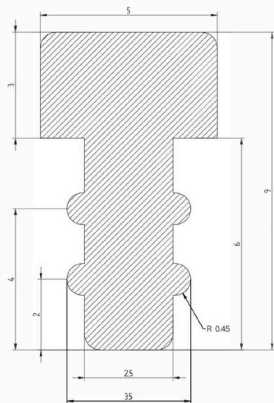
ISS. NO: 1	ISS. DATE 27.08.2013	AUTH: SP	REG NO: SED 1337
------------	----------------------	----------	------------------



MINIMUM RADS 0.25MM UNLESS OTHERWISE STATED

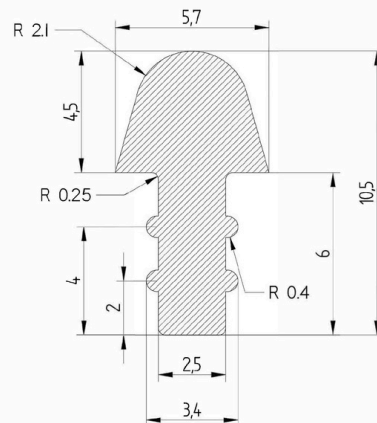
WPS NO:	TOL'S: ISO 3302-1:2014(E) (unless otherwise stated)
TITLE: S/R 'T' Section	NO: WS.80.1.
MATERIAL: General Purpose, 80°sh A Hardness	SCALE: NTS
COLOUR: Pantone 351	DRG NO: SED 1337
DIE NO: 2586/SB	ISSUE NO: 1

ISS. NO: 1	ISS. DATE 27.08.2013	AUTH: SP	REG NO: SED 1334
------------	----------------------	----------	------------------



WPS NO:	TOL'S: ISO 3302-1:2014(E) (unless otherwise stated)
TITLE: S/R 'T' Section	NO: WS.80.1.
MATERIAL: General Purpose 80°sh A	SCALE: NTS
COLOUR: Orange (Special RAL 2004)	DRG NO: C080
DIE NO: 2569/SB	ISSUE NO: 1

ISS. NO: 1	ISS. DATE 29.08.2013	AUTH: SP	REG NO: SED 1347
------------	----------------------	----------	------------------



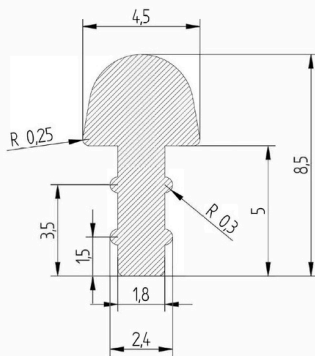
ALL RADS 0.25MM MINIMUM UNLESS OTHERWISE STATED

WPS NO:	TOL'S: ISO 3302-1:2014(E) (unless otherwise stated)
TITLE: S/R Mushroom Section	NO: WS.80.5.
MATERIAL: High Temp to 300°C, 80°sh A	SCALE: NTS
COLOUR: Blue RAL 5024	DRG NO: SED 1347
DIE NO: 2780/SB	ISSUE NO: 1

T Section Pips

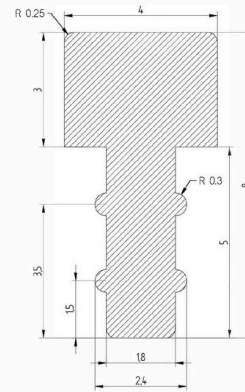


ISS. NO: 1	ISS. DATE 29.08.2013	AUTH: SP	REG NO: SED 1353
------------	----------------------	----------	------------------



WPS NO:	TOL'S: ISO 3302-1:2014(E) (unless otherwise stated)
TITLE: S/R Section	NO: WS.80.5.
MATERIAL: High Temperature 300°, 80°	SCALE:
COLOUR: BLUE RAL 5002	DRG NO: SED 1353
DIE NO: 2832	ISSUE NO:

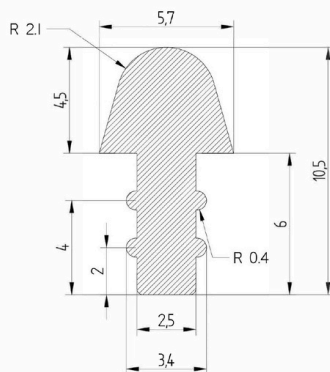
ISS. NO: 1	ISS. DATE 29.08.2013	AUTH: SP	REG NO: SED 1352
------------	----------------------	----------	------------------



ALL RADS 0.25MM MINIMUM UNLESS OTHERWISE STATED

WPS NO:	TOL'S: ISO 3302-1:2014(E) (unless otherwise stated)
TITLE: S/R 'T' Section	NO: WS.80.1.
MATERIAL: General Purpose, 80°sh A Hardness	SCALE: NTS
COLOUR: Green	DRG NO: SED 1352
DIE NO: 2829/SB	ISSUE NO: 1

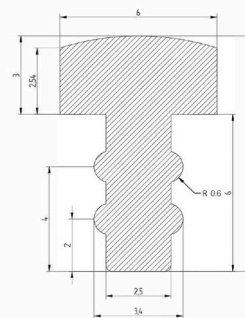
ISS. NO: 1	ISS. DATE 29.08.2013	AUTH: SP	REG NO: SED 1351
------------	----------------------	----------	------------------



ALL RADS 0.25MM MINIMUM UNLESS OTHERWISE STATED

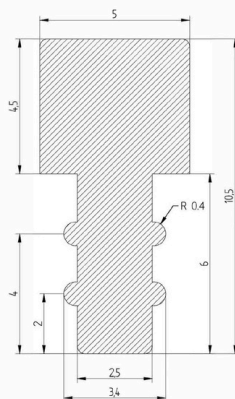
WPS NO:	TOL'S: ISO 3302-1:2014(E) (unless otherwise stated)
TITLE: S/R Mushroom Section	NO: WS.50.1.
MATERIAL: General Purpose, 50°sh A Hardness	SCALE: NTS
COLOUR: Red (Pantone PMS1788)	DRG NO: SED 1351
DIE NO: 2826/SB	ISSUE NO: 1

ISS. NO: 1	ISS. DATE 29.08.2013	AUTH: SP	REG NO: SED 1350
------------	----------------------	----------	------------------



WPS NO:	TOL'S: ISO 3302-1:2014(E) (unless otherwise stated)
TITLE: S/R 'T' Section	NO: WS.80.1.
MATERIAL: General Purpose, 80°sh A Hardness	SCALE: NTS
COLOUR: Blue 2	DRG NO: SED 1350
DIE NO: 2806/SB	ISSUE NO: 1

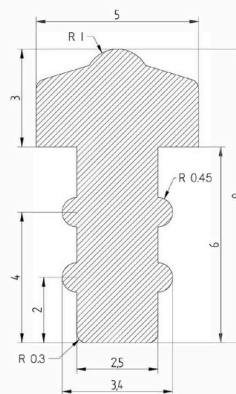
ISS. NO: 1	ISS. DATE 29.08.2013	AUTH: SP	REG NO: SED 1349
------------	----------------------	----------	------------------



ALL RADS 0.25MM MINIMUM UNLESS OTHERWISE STATED

WPS NO:	TOL'S: ISO 3302-1:2014(E) (unless otherwise stated)
TITLE: S/R 'T' Section	NO: WS.80.1.
MATERIAL: General Purpose, 80°sh A Hardness	SCALE: NTS
COLOUR: Brown (Pantone 469)	DRG NO: SED 1349
DIE NO: 2802/SB	ISSUE NO: 1

ISS. NO: 1	ISS. DATE 30.08.2013	AUTH: SP	REG NO: SED 1359
------------	----------------------	----------	------------------



MINIMUM UNLESS OTHERWISE STATED

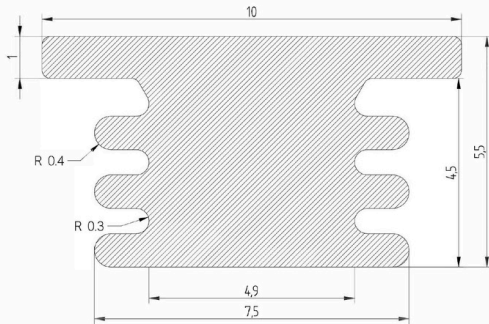
ALL RADS 0.25MM

WPS NO:	TOL'S: ISO 3302-1:2014(E) (unless otherwise stated)
TITLE: S/R 'T' Section	NO: WS.50.1.
MATERIAL: General Purpose, 50°sh A Hardness	SCALE: NTS
COLOUR: Grey 4	DRG NO: SED 1359
DIE NO: 2878/SB	ISSUE NO: 1

T Section Pips



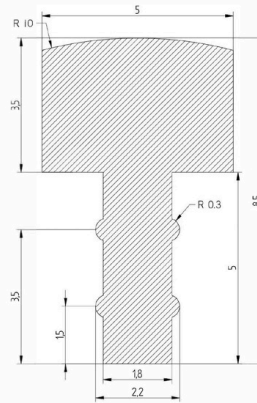
ISS. NO: 1	ISS. DATE 04.09.2013	AUTH: SP	REG NO: SED 1380
------------	----------------------	----------	------------------



ALL RADS 0.25MM MINIMUM UNLESS OTHERWISE STATED

WPS NO:	TOL'S: ISO 3302-1:2014(E) (unless otherwise stated)
TITLE: S/R Section	NO: WS.45.1.
MATERIAL: General Purpose, 45°sh A Hardness	SCALE: NTS
COLOUR: Off White	DRG NO: SED 1380
DIE NO: 3194/SB	ISSUE NO: 1

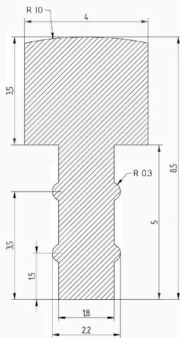
ISS. NO: 1	ISS. DATE 03.08.2016	AUTH: SP	REG NO: SED 1363
------------	----------------------	----------	------------------



ALL RADS 0.25MM MINIMUM UNLESS OTHERWISE STATED

WPS NO:	TOL'S: ISO 3302-1:2014(E) (unless otherwise stated)
TITLE: S/R 'T' Section	NO: WS.75.1.
MATERIAL: General Purpose, 75°sh A Hardness	SCALE: NTS
COLOUR: Yellow	DRG NO: SED 1363
DIE NO: 2957/SB	ISSUE NO: 1

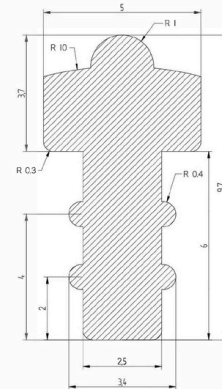
ISS. NO: 1	ISS. DATE 30.08.2013	AUTH: SP	REG NO: SED 1362
------------	----------------------	----------	------------------



ALL RADS 0.25MM MINIMUM UNLESS OTHERWISE STATED

WPS NO:	TOL'S: ISO 3302-1:2014(E) (unless otherwise stated)
TITLE: S/R 'T' Section	NO: WS.75.1.
MATERIAL: General Purpose, 75°sh A Hardness	SCALE: NTS
COLOUR: Blue 3	DRG NO: SED 1362
DIE NO: 2915/SB	ISSUE NO: 1

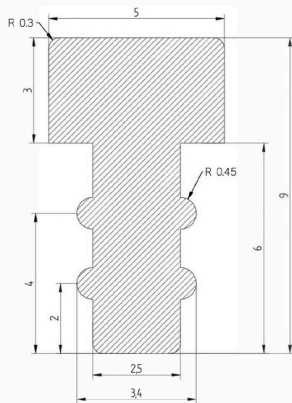
ISS. NO: 1	ISS. DATE: 30.08.2013	AUTH: SP	REG NO: SED 1361
------------	-----------------------	----------	------------------



ALL RADS 0.25MM MINIMUM UNLESS OTHERWISE STATED

WPS NO:	TOL'S: ISO 3302-1:2014 E1 (unless otherwise stated)
TITLE: S/R 'T' Section	NO: WS.50.1.
MATERIAL: General Purpose, 50°sh A Hardness	SCALE: NTS
COLOUR: Grey 7	DRG NO: SED 1361
DIE NO: 2908/SB	ISSUE NO: 1

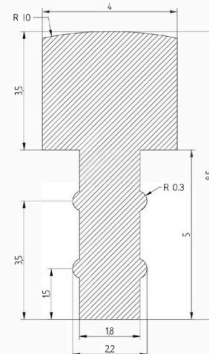
ISS. NO: 1	ISS. DATE 30.08.2013	AUTH: SP	REG NO: SED 1360
------------	----------------------	----------	------------------



ALL RADS 0.25MM MINIMUM UNLESS OTHERWISE STATED

WPS NO:	TOL'S: ISO 3302-1:2014(E) (unless otherwise stated)
TITLE: S/R 'T' Section	NO: WS.80.5.
MATERIAL: High Temperature to 300°c. 80°sh	SCALE: NTS
COLOUR: Orange (RAL 2004)	DRG NO: SED 1360
DIE NO: 2886/SB	ISSUE NO: 1

ISS. NO: 1	ISS. DATE 05.09.2013	AUTH: SP	REG NO: SED 1384
------------	----------------------	----------	------------------



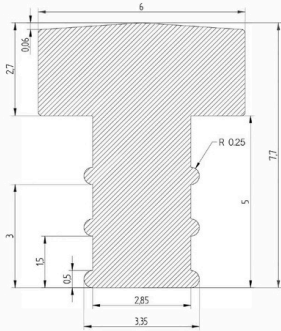
ALL RADS 0.25MM MINIMUM UNLESS OTHERWISE STATED

WPS NO:	TOL'S: ISO 3302-1:2014(E) (unless otherwise stated)
TITLE: S/R 'T' Section	NO: WS.40.1.
MATERIAL: General Purpose, 40°sh A Hardness	SCALE: NTS
COLOUR: Blue 3	DRG NO: SED 1384
DIE NO: 3314/SB	ISSUE NO: 1

T Section Pips

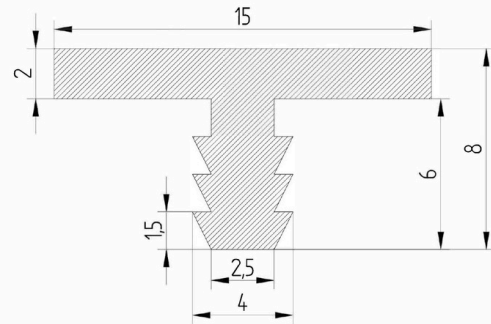


ISS. NO: 1	ISS. DATE 20.09.2013	AUTH: AH	REG NO: SED 1421
------------	----------------------	----------	------------------



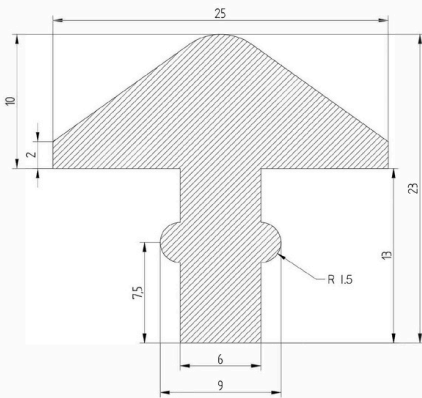
MINIMUM RADS 0.25MM UNLESS OTHERWISE STATED	
WPS NO:	TOL'S: ISO 3302-1:2014(E) (unless otherwise stated)
TITLE: S/R 'T' Section	NO: WS.50.1.
MATERIAL: General Purpose, 50°sh A Hardness	SCALE: NTS
COLOUR: TBC	DRG NO: SED 1421
DIE NO: 1463/SB	ISSUE NO: 1

ISS. NO: 1	ISS. DATE 11.08.2016	AUTH: SP	REG NO: SED 1413
------------	----------------------	----------	------------------



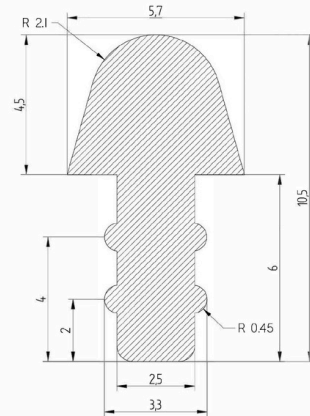
ALL RADS 0.25MM MINIMUM UNLESS OTHERWISE STATED	
WPS NO:	TOL'S: ISO 3302-1:2014(E) (unless otherwise stated)
TITLE: S/R 'T' Section	NO: WS.60.1.
MATERIAL: General Purpose, 60°sh A Hardness	SCALE: NTS
COLOUR: Translucent	DRG NO: SED 1413
DIE NO: 3443/SB	ISSUE NO: 1

ISS. NO: 2	ISS. DATE 12.09.2013	AUTH: SP	REG NO: SED 1410
------------	----------------------	----------	------------------



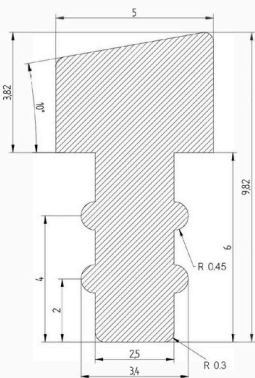
MINIMUM RADS 0.25MM UNLESS OTHERWISE STATED	
WPS NO:	TOL'S: ISO 3302-1:2014 E1 (unless otherwise stated)
TITLE: S/R 'T' Section	NO: WS.60.1.
MATERIAL: General Purpose, 60°sh A Hardness	SCALE: NTS
COLOUR: White	DRG NO: SED 1410
DIE NO: 266/SB	ISSUE NO: 1

ISS. NO: 1	ISS. DATE 06.09.2013	AUTH: SP	REG NO: SED 1392
------------	----------------------	----------	------------------



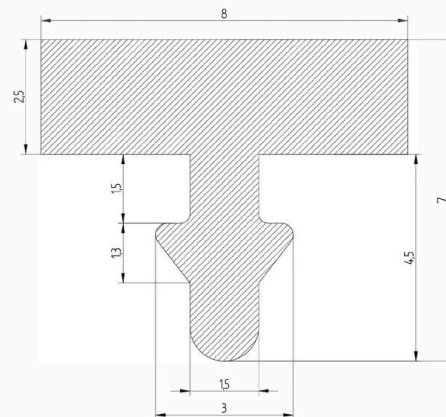
ALL RADS 0.25MM MINIMUM UNLESS OTHERWISE STATED	
WPS NO:	TOL'S: ISO 3302-1:2014 E1 (unless otherwise stated)
TITLE: S/R Mushroom Section	NO: WS.50.1.
MATERIAL: General Purpose, 50°sh A Hardness	SCALE: NTS
COLOUR: Red	DRG NO: SED 1392
DIE NO: 3411/SB	ISSUE NO: 1

ISS. NO: 1	ISS. DATE 05.09.2013	AUTH: SP	REG NO: SED 1389
------------	----------------------	----------	------------------



ALL RADS 0.25MM MINIMUM UNLESS OTHERWISE STATED	
WPS NO:	TOL'S: ISO 3302-1:2014(E) (unless otherwise stated)
TITLE: S/R 'T' Section	NO: WS.80.1.
MATERIAL: General Purpose 80°sh A	SCALE: NTS
COLOUR: Light Purple	DRG NO: SED 1389
DIE NO: 3346/SB	ISSUE NO: 1

ISS. NO: 1	ISS. DATE 24.09.2013	AUTH: SP	REG NO: SED 1433
------------	----------------------	----------	------------------

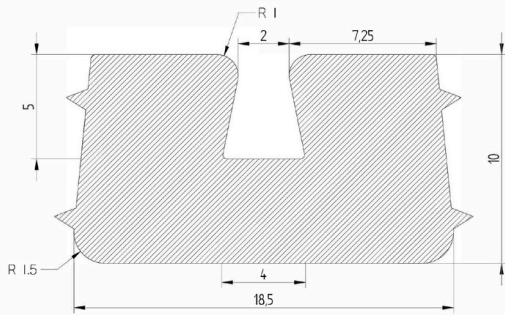


ALL RADS 0.25MM UNLESS OTHERWISE STATED	
WPS NO:	TOL'S: ISO 3302-1:2014(E) (unless otherwise stated)
TITLE: S/R 'T' Section	NO: WS.80.1.
MATERIAL: General Purpose, 80°sh A Hardness	SCALE: NTS
COLOUR: White	DRG NO: SED 1433
DIE NO: 1602/SB	ISSUE NO: 1

T Section Pips

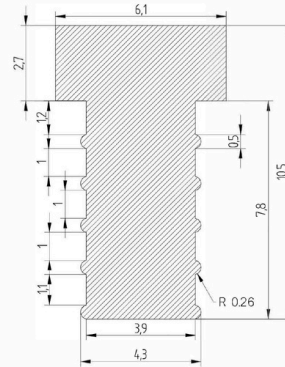


ISS. NO: 1	ISS. DATE 14.01.2014	AUTH: SP	REG NO: SED 1649
------------	----------------------	----------	------------------



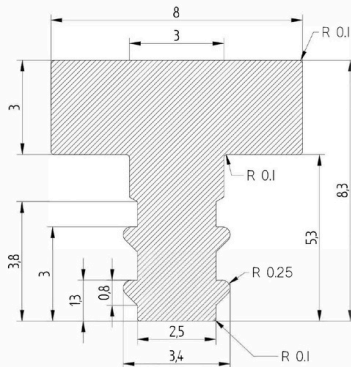
WPS NO:	TOL'S: ISO 3302-1:2014(E) (unless otherwise stated)
TITLE: S/R U Section	NO: WS.40.1.
MATERIAL: General Purpose 40°sh A	SCALE:
COLOUR: Translucent	DRG NO:
DIE NO: 3485/SB	ISSUE NO:

ISS. NO: 1	ISS. DATE 12.12.2013	AUTH: SP	REG NO: SED 1639
------------	----------------------	----------	------------------



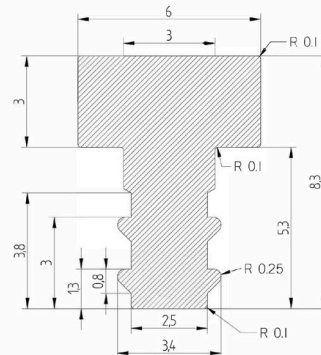
ALL RADS 0.25MM MINIMUM UNLESS OTHERWISE STATED	
WPS NO:	TOL'S: ISO 3302-1:2014(E) (unless otherwise stated)
TITLE: S/R 'T' Section	NO: WS.50.1.
MATERIAL: General Purpose, 50°sh A Hardness	SCALE: NTS
COLOUR: Translucent	DRG NO: SED 1639
DIE NO: 3536/SB	ISSUE NO: 1

ISS. NO: 1	ISS. DATE 18.10.2013	AUTH: SP	REG NO: SED 1551
------------	----------------------	----------	------------------



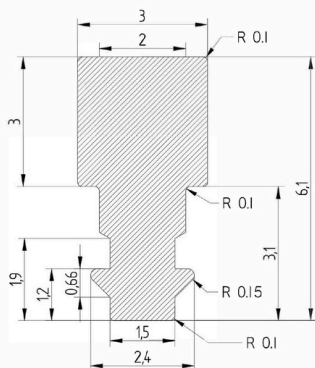
ALL RADS 0.25MM MINIMUM UNLESS OTHERWISE STATED	
WPS NO:	TOL'S: ISO 3302-1:2014(E) (unless otherwise stated)
TITLE: S/R 'T' Section	NO: NGP.50.
MATERIAL: Platinum Cured, 50°sh A Hardness	SCALE: NTS
COLOUR: White	DRG NO: SED 1551
DIE NO: 2012/SB	ISSUE NO: 1

ISS. NO: 1	ISS. DATE 18.10.2013	AUTH: SP	REG NO: SED 1550
------------	----------------------	----------	------------------



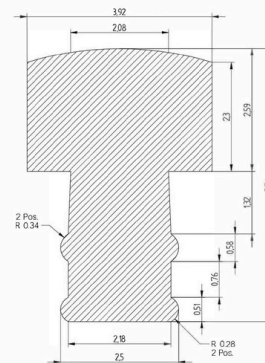
ALL RADS 0.25MM MINIMUM UNLESS OTHERWISE STATED	
WPS NO:	TOL'S: ISO 3302-1:2014(E) (unless otherwise stated)
TITLE: S/R 'T' Section	NO: NGP.50.
MATERIAL: Platinum Cured, 50°sh A Hardness	SCALE: NTS
COLOUR: White	DRG NO: SED 1550
DIE NO: 2010/SB	ISSUE NO: 1

ISS. NO: 1	ISS. DATE 22.10.2013	AUTH: SP	REG NO: SED 1549
------------	----------------------	----------	------------------



ALL RADS 0.25MM MINIMUM UNLESS OTHERWISE STATED	
WPS NO:	TOL'S: ISO 3302-1:2014(E) (unless otherwise stated)
TITLE: S/R 'T' Section	NO: NGP.50.
MATERIAL: Platinum Cured, 50°sh A Hardness	SCALE: NTS
COLOUR: White	DRG NO: SED 1549
DIE NO: 2009/SB	ISSUE NO: 1

ISS. NO: 1	ISS. DATE: 24.06.2014	AUTH: SP	REG NO: SED 1759
------------	-----------------------	----------	------------------

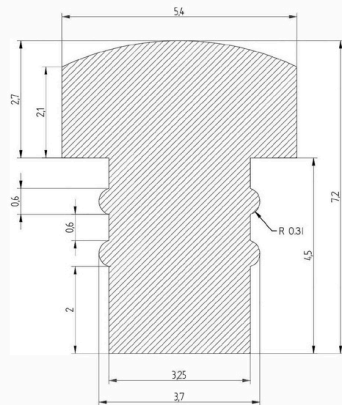


ALL RADS 0.25MM MINIMUM UNLESS OTHERWISE STATED	
WPS NO:	TOL'S: ISO 3302-1:2014 E1
TITLE: Section	NO: WS.60.1. RAL5015
MATERIAL: WS.60.1. RAL5015	SCALE: NTS
COLOUR: BLUE RAL 5015	DRG NO: SED 1759
DIE NO: 3649/sb	ISSUE NO: 1

T Section Pips



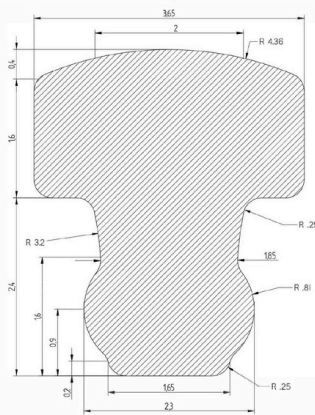
ISS. NO: 1	ISS. DATE 14.04.2016	AUTH: SP	REG NO: SED 2170
------------	----------------------	----------	------------------



MINIMUM RADS 0.25MM UNLESS OTHERWISE STATED

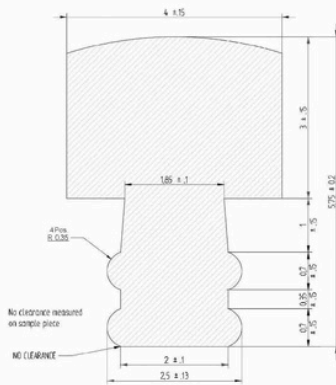
WPS NO:	TOL'S: ISO 3302-1:2014(E1)(unless otherwise stated)
TITLE: S/R 'T' Section	NO: WS.75.1.
MATERIAL: General Purpose, 75°sh A Hardness	SCALE: NTS
COLOUR: Red Oxide	DRG NO: SED 2170
DIE NO: 2925/SB	ISSUE NO: 1

ISS. NO: 1	ISS. DATE: 30.06.2015	AUTH: SP	REG NO: SED 1977
------------	-----------------------	----------	------------------



WPS NO:	TOL'S: ISO 3302-1:2014(E) (unless otherwise stated)
TITLE: Section	NO: WS.60.1
MATERIAL: WS.60.1	SCALE: NTS
COLOUR: Grey	DRG NO: SED 1977
DIE NO: 3921/sb	ISSUE NO: 1

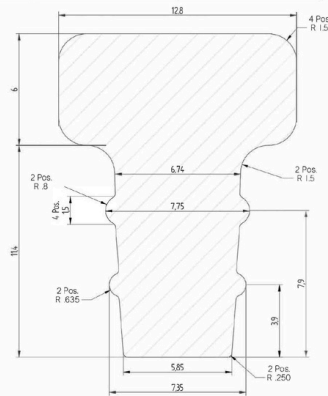
ISS. NO: 2	ISS. DATE: 20.10.2024	AUTH: SP	REG NO: SED 1824
------------	-----------------------	----------	------------------



ALL RADS 0.25MM UNLESS OTHERWISE STATED

WPS NO:	TOL'S: ISO 3302-1:2014 E1
TITLE: Section	NO: WS.60.1.
MATERIAL: WS.60.1.	SCALE: NTS
COLOUR: Blue RAL 5015	DRG NO: SED 1824
DIE NO: 3727/sb	ISSUE NO: 2

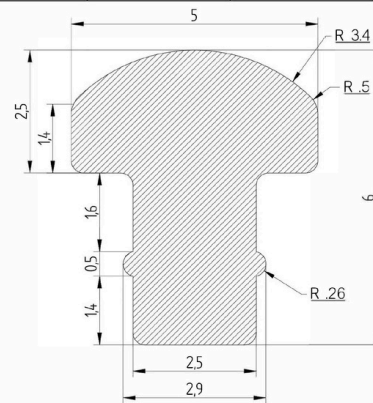
ISS. NO: 1	ISS. DATE: 26.01.2015	AUTH: SP	REG NO: SED 2102
------------	-----------------------	----------	------------------



ALL RADS 0.25MM UNLESS OTHERWISE STATED

WPS NO:	TOL'S: ISO 3302-1:2014 E1 (unless otherwise stated)
TITLE: Section	NO: WS.70.1
MATERIAL: WS.70.1.	SCALE: NTS
COLOUR: Green1	DRG NO: SED 22102
DIE NO: 4056	ISSUE NO: 1

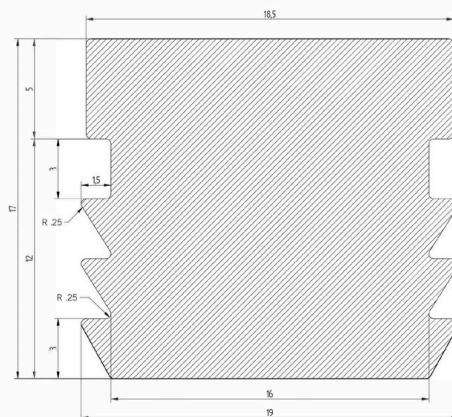
ISS. NO: 2	ISS. DATE: 05.05.2015	AUTH: SP	REG NO: SED 1924
------------	-----------------------	----------	------------------



ALL RADS 0.25MM UNLESS OTHERWISE STATED

WPS NO:	TOL'S: ISO 3302-2014 CLASS E1 (unless otherwise stated)
TITLE: S/R Mushroom Section	NO: WS.60.1.
MATERIAL: General Purpose, 60°sh A	SCALE:
COLOUR: Red Oxide	DRG NO:
DIE NO:	ISSUE NO: 1

ISS. NO: 1	ISS. DATE: 19.05.2016	AUTH: SP	REG NO: SED 2185
------------	-----------------------	----------	------------------



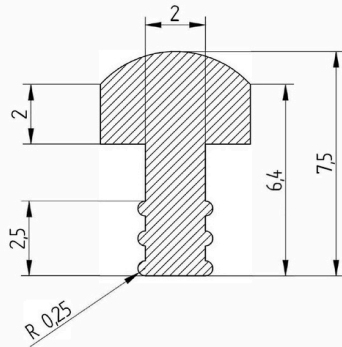
ALL RADS 0.25MM UNLESS OTHERWISE STATED

WPS NO:	TOL'S: ISO 3302-1:2014(E1)(unless otherwise stated)
TITLE: S/R Section	NO: NGP.70.
MATERIAL: Platinum Cured, 70°sh A Hardness	SCALE: NTS
COLOUR: Translucent	DRG NO: SED 2185
DIE NO: 4147/SB	ISSUE NO: 1

T Section Pips



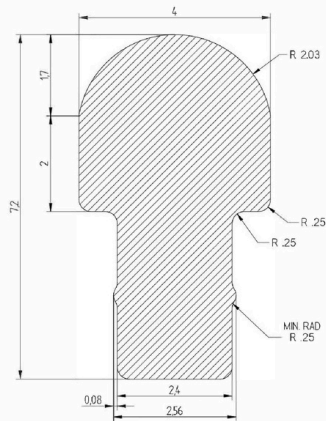
ISS. NO: 2	ISS. DATE: 09.11.2017	AUTH: JL	REG NO: SED 2595
------------	-----------------------	----------	------------------



ALL RADS 0.25MM MINIMUM UNLESS OTHERWISE STATED

WPS NO:	TOL'S: ISO 3302-1:2014(E1) (unless otherwise stated)
TITLE: Section	NO: WS.70.1
MATERIAL: WS.70.1	SCALE: NTS
COLOUR: Blue	DRG NO: SED 2595
DIE NO:	ISSUE NO: 2

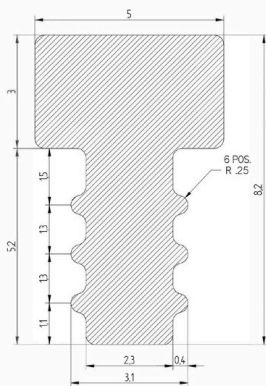
ISS. NO: 1	ISS. DATE: 12.06.17	AUTH: SP	REG NO: SED 2521
------------	---------------------	----------	------------------



ALL RADS 0.25MM MINIMUM UNLESS OTHERWISE STATED

WPS NO:	TOL'S: ISO 3302-1:2014(E) (unless otherwise stated)
TITLE: S/R Profile	NO: WS.60.1
MATERIAL: WS.60.1	SCALE: -
COLOUR: Green	DRG NO: 2521
DIE NO:	ISSUE NO: 1

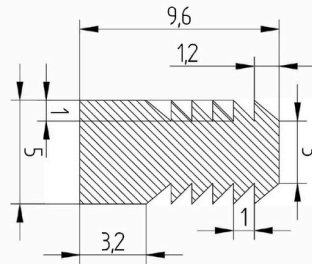
ISS. NO: 1	ISS. DATE: 31.01.2017	AUTH: SP	REG NO: SED 2368
------------	-----------------------	----------	------------------



ALL RADS 0.25MM MINIMUM UNLESS OTHERWISE STATED

WPS NO:	TOL'S: ISO 3302-1:2014 E1
TITLE: Section	NO: WS.60.1
MATERIAL: WS.60.1	SCALE: NTS
COLOUR: RIOX	DRG NO: SED 2368
DIE NO: 4335/sb	ISSUE NO: 1

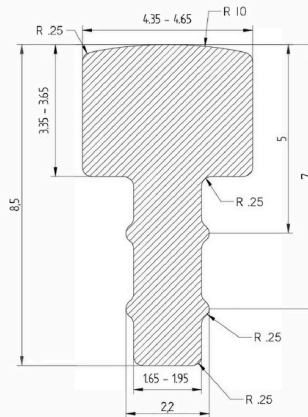
ISS. NO: 1	ISS. DATE: 04.10.2017	AUTH: TH	REG NO: SED 2586
------------	-----------------------	----------	------------------



ALL RADS 0.25MM MINIMUM UNLESS OTHERWISE STATED

WPS NO:	TOL'S: ISO 3302-1:2014(E1) (unless otherwise stated)
TITLE: Section	NO: WS.60.1
MATERIAL: WS.60.1.	SCALE: NTS
COLOUR: RIOX	DRG NO: SED 2586
DIE NO:	ISSUE NO: 1

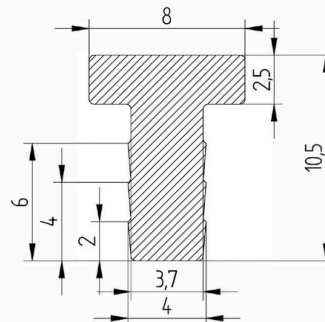
ISS. NO: 1	ISS. DATE: 22.05.17	AUTH: SP	REG NO: SED 2463
------------	---------------------	----------	------------------



ALL RADS 0.25MM MINIMUM UNLESS OTHERWISE STATED

WPS NO:	TOL'S: ISO 3302-1:2014(E) (unless otherwise stated)
TITLE: S/R Profile	NO: WS.60.1
MATERIAL: WS.60.1	SCALE: -
COLOUR: White	DRG NO: 2463
DIE NO: 4252/SB	ISSUE NO: 1

ISS. NO: 1	ISS. DATE: 27. 11. 2017	AUTH: TH	REG NO: SED 2600
------------	-------------------------	----------	------------------



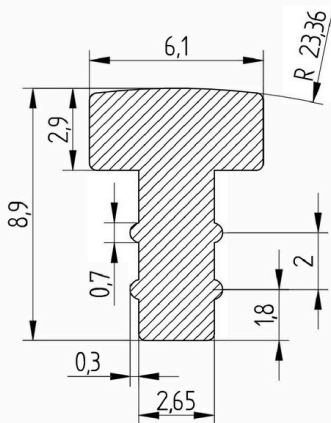
ALL RADS 0.25MM MINIMUM UNLESS OTHERWISE STATED

WPS NO:	TOL'S: ISO 3302-1:2014(E1) (unless otherwise stated)
TITLE: Section	NO: WS.45.1
MATERIAL: WS.45.1	SCALE: NTS
COLOUR: Trans	DRG NO: SED 2600
DIE NO:	ISSUE NO: 1

T Section Pips

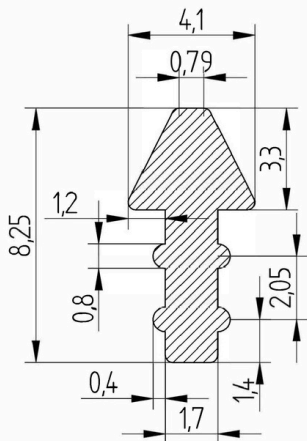


ISS. NO: 1	ISS. DATE: 19.06.18	AUTH: JL	REG NO: SED 2660
------------	---------------------	----------	------------------



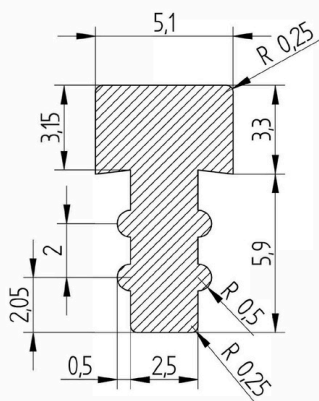
WPS NO:	TOL'S: ISO 3302-1:2014(E) (unless otherwise stated)
TITLE: S/R Profile	NO: WS.80.1
MATERIAL: WS.80.1	SCALE: -
COLOUR: Green	DRG NO:- 2660
DIE NO:	ISSUE NO: 1

ISS. NO: 1	ISS. DATE: 19.06.18	AUTH: JL	REG NO: SED 2658
------------	---------------------	----------	------------------



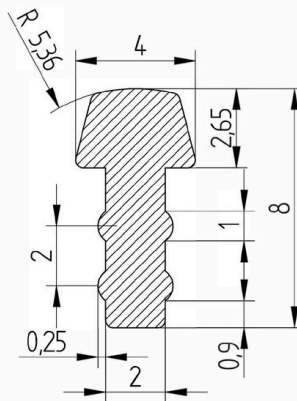
WPS NO:	TOL'S: ISO 3302-1:2014(E) (unless otherwise stated)
TITLE: S/R Profile	NO: WS.80.1
MATERIAL: WS.80.1	SCALE: -
COLOUR: Blue RAL 5002	DRG NO:- 2658
DIE NO:	ISSUE NO: 1

ISS. NO: 1	ISS. DATE: 04.09.18	AUTH: JL	REG NO: SED 2683
------------	---------------------	----------	------------------



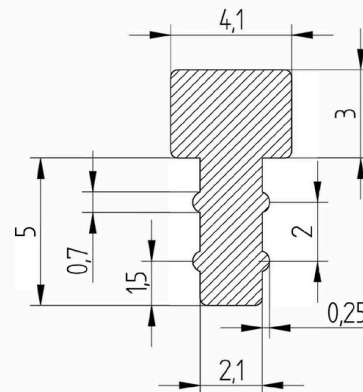
WPS NO:	TOL'S: ISO 3302-1:2014(E) (unless otherwise stated)
TITLE: S/R F PROFILE	NO: WS.80.1
MATERIAL: WS.80.1	SCALE: -
COLOUR: Orange	DRG NO:- 2683
DIE NO:	ISSUE NO:

ISS. NO: 1	ISS. DATE: 19.06.18	AUTH: JL	REG NO: SED 2659
------------	---------------------	----------	------------------



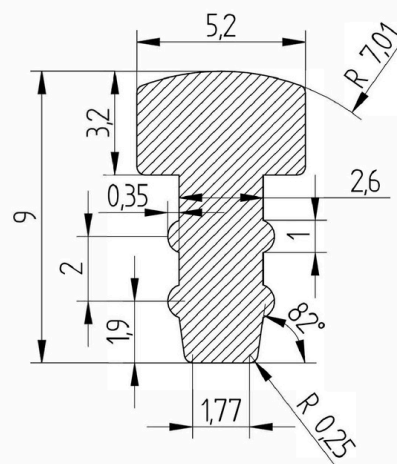
WPS NO:	TOL'S: ISO 3302-1:2014(E) (unless otherwise stated)
TITLE: S/R Profile	NO: WS.80.1
MATERIAL: WS.80.1	SCALE: -
COLOUR: Yellow	DRG NO:- 2659
DIE NO:	ISSUE NO: 1

ISS. NO: 1	ISS. DATE: 19.06.18	AUTH: JL	REG NO: SED 2657
------------	---------------------	----------	------------------



WPS NO:	TOL'S: ISO 3302-1:2014(E) (unless otherwise stated)
TITLE: S/R Profile	NO: WS.70.1
MATERIAL: WS.70.1	SCALE: -
COLOUR: Dark Green	DRG NO:- 2657
DIE NO:	ISSUE NO: 1

ISS. NO: 1	ISS. DATE: 19.06.18	AUTH: JL	REG NO: SED 2661
------------	---------------------	----------	------------------

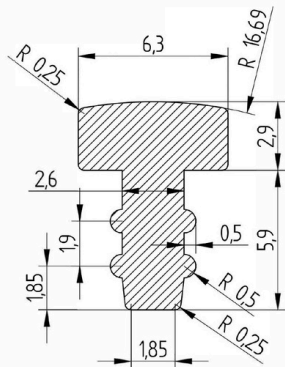


WPS NO:	TOL'S: ISO 3302-1:2014(E) (unless otherwise stated)
TITLE: S/R Profile	NO: WS.80.1
MATERIAL: WS.80.1	SCALE: -
COLOUR: Red	DRG NO:- 2661
DIE NO:	ISSUE NO: 1

T Section Pips

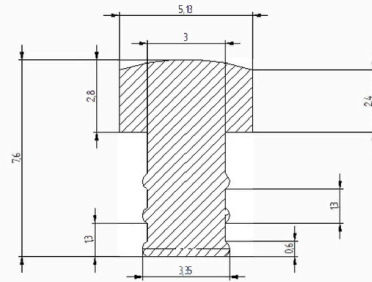


ISS. NO: 1	ISS. DATE: 04.09.18	AUTH: JL	REG NO: SED 2684
------------	---------------------	----------	------------------



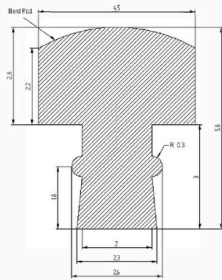
WPS NO:	TOL'S: ISO 3302-1:2014 E1 (unless otherwise stated)
TITLE: S/R F PROFILE	NO: WS.80.1
MATERIAL: WS.60.1.	SCALE: -
COLOUR: Blue	DRG NO:- 2684
DIE NO:	ISSUE NO:

ISS. NO: 1	ISS. DATE 05.01.2022	AUTH: KD	REG NO: SED 3100
------------	----------------------	----------	------------------



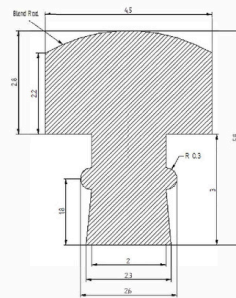
WPS NO: G39853	TOL'S: ISO 3302-1:2014 E1 (unless otherwise stated)
TITLE: S/R Section	NO: WS.60.1
MATERIAL: WS.60.1.	SCALE: NTS
COLOUR: Blue 3	DRG NO: 3100
DIE NO: 5026	ISSUE NO: 1

ISS. NO: 1	ISS. DATE: 02.09.21	AUTH: KD	REG NO: SED 3038
------------	---------------------	----------	------------------



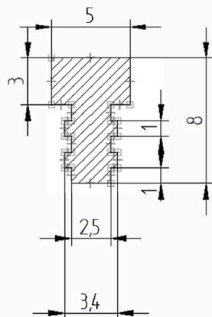
WPS NO:	TOL'S: ISO 3302-1:2014 E1 (unless otherwise stated)
TITLE: S/R Section	NO: WS.60.1
MATERIAL: WS.60.1	SCALE: NTS
COLOUR: RIOX	DRG NO: 3038
DIE NO: 1575	ISSUE NO: 1

ISS. NO: 1	ISS. DATE: 02.09.21	AUTH: KD	REG NO: SED 3033
------------	---------------------	----------	------------------



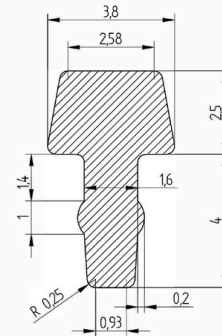
WPS NO:	TOL'S: ISO 3302-1:2014 E1 (unless otherwise stated)
TITLE: S/R Section	NO: WS.60.1
MATERIAL: WS.60.1	SCALE: NTS
COLOUR: RIOX	DRG NO: 3033
DIE NO: 1574	ISSUE NO: 1

ISS. NO: 1	ISS. DATE: 02.02.21	AUTH: KD	REG NO: SED 2904
------------	---------------------	----------	------------------



WPS NO:	TOL'S: ISO 3302-1:2014 E1 (unless otherwise stated)
TITLE: S/R Section	NO: NGP 50
MATERIAL: NGP 50	SCALE: NTS
COLOUR: White	DRG NO: 2904
DIE NO:	ISSUE NO: 1

ISS. NO: 1	ISS. DATE: 19.11.2018	AUTH: JL	REG NO: SED 2706
------------	-----------------------	----------	------------------

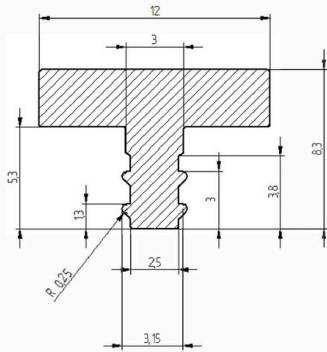


WPS NO:	TOL'S: ISO 3302-1:2014 E1 (unless otherwise stated)
TITLE: S/R Section	NO: WS.75.
MATERIAL: WS.75.1	SCALE: NTS
COLOUR: Green	DRG NO: 2706
DIE NO:	ISSUE NO: 1

T Section Pips

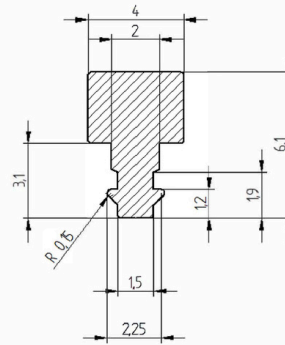


ISS. NO: 1 ISS. DATE 15.03.2022 AUTH: KD REG NO: SED 3485



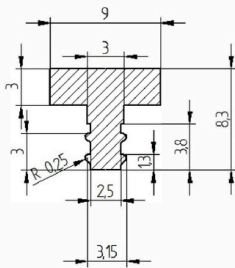
WPS NO: G38782e	TOL'S: ISO 3302-1:2014 E1 (unless otherwise stated)
TITLE: S/R Section	NO: NGP 50
MATERIAL: NGP 50	SCALE: NTS
COLOUR: White	DRG NO: 3485
DIE NO: 2008	ISSUE NO: 1

ISS. NO: 1 ISS. DATE 15.03.2022 AUTH: KD REG NO: SED 3484



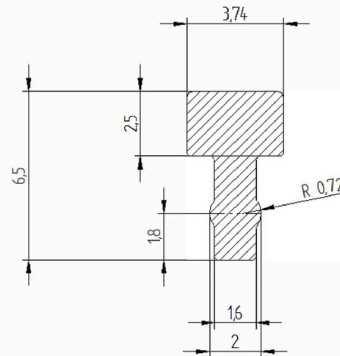
WPS NO: G38782b	TOL'S: ISO 3302-1:2014 E1 (unless otherwise stated)
TITLE: S/R Section	NO: NGP 50
MATERIAL: NGP 50	SCALE: NTS
COLOUR: White	DRG NO: 3484
DIE NO: 2007	ISSUE NO: 1

ISS. NO: 1 ISS. DATE 15.03.2022 AUTH: KD REG NO: SED 3483



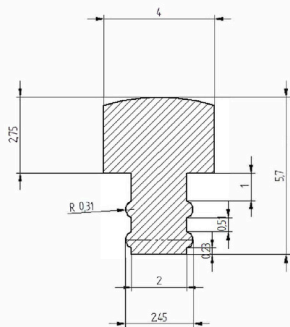
WPS NO: G38782f	TOL'S: ISO 3302-1:2014 E1 (unless otherwise stated)
TITLE: S/R Section	NO: NGP 50
MATERIAL: NGP 50	SCALE: NTS
COLOUR: White	DRG NO: 3483
DIE NO: 2015	ISSUE NO: 1

ISS. NO: 1 ISS. DATE: 22.02.2022 AUTH: KD REG NO: SED 3298



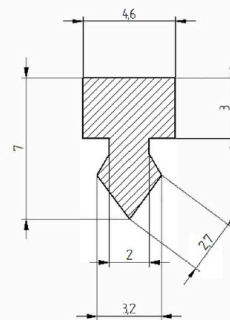
WPS NO: 249222	TOL'S: ISO 3302-1:2014 E1 (unless otherwise stated)
TITLE: S/R Section	NO: WS.60.1
MATERIAL: WS.60.1.	SCALE: NTS
COLOUR: Orange	DRG NO: 3298
DIE NO: 5039	ISSUE NO: 1

ISS. NO: 1 ISS. DATE: 31.01.2022 AUTH: KD REG NO: SED 3105



WPS NO: 138452	TOL'S: ISO 3302-1:2014 E1 (unless otherwise stated)
TITLE: S/R Section	NO: WS.60.1
MATERIAL: WS.60.1	SCALE: NTS
COLOUR: RAL 5015	DRG NO: 3105
DIE NO: 3403	ISSUE NO: 1

ISS. NO: 1 ISS. DATE 16.03.2022 AUTH: KD REG NO: SED 3502

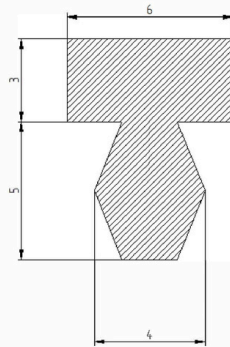


WPS NO:	TOL'S: ISO 3302-1:2014 E1 (unless otherwise stated)
TITLE: S/R Section	NO: WS.50.1
MATERIAL: WS.50.1	SCALE: NTS
COLOUR: RIOX	DRG NO: 3502
DIE NO: 1847	ISSUE NO: 1

T Section Pips

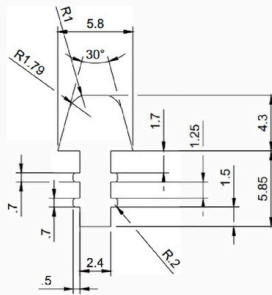


ISS. NO: 1	ISS. DATE 19.04.2022	AUTH: KD	REG NO: SED 3637
------------	----------------------	----------	------------------



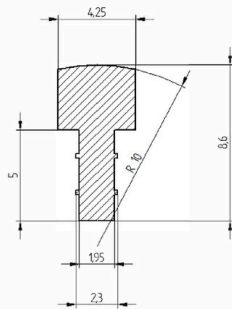
WPS NO: 167637b	TOL'S: ISO 3302-1:2014 E1 (unless otherwise stated)
TITLE: S/R Section	NO: WS.60.1
MATERIAL: WS.60.1	SCALE: NTS
COLOUR: RIOX	DRG NO: 3637
DIE NO: 4025	ISSUE NO: 1

ISS. NO: 1	ISS. DATE 01.06.2022	AUTH: KD	REG NO: SED 3823
------------	----------------------	----------	------------------



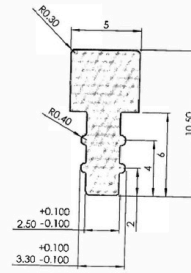
WPS NO: 226148	TOL'S: ISO 3302-1:2014 E1 (unless otherwise stated)
TITLE: S/R Section	NO: WS.75.1
MATERIAL: WS.75.1	SCALE: NTS
COLOUR: Pink	DRG NO: 3823
DIE NO: 4822	ISSUE NO: 1

ISS. NO:	ISS. DATE 13.05.2022	AUTH: KD	REG NO: SED 3724
----------	----------------------	----------	------------------



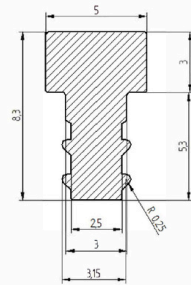
WPS NO: 197301	TOL'S: ISO 3302-1:2014 E1 (unless otherwise stated)
TITLE: S/R Section	NO: WS.70.1
MATERIAL: WS.70.1	SCALE: NTS
COLOUR: Blue	DRG NO: 3724
DIE NO: 4523	ISSUE NO: 1

ISS. NO: 1	ISS. DATE 01.06.2022	AUTH: KD	REG NO: SED 3824
------------	----------------------	----------	------------------



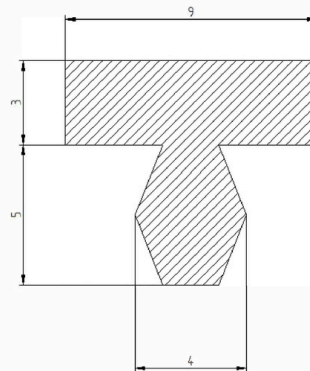
WPS NO: 226605	TOL'S: ISO 3302-1:2014 E1 (unless otherwise stated)
TITLE: S/R Section	NO: WS.60.1
MATERIAL: WS.60.1	SCALE: NTS
COLOUR: Brown	DRG NO: 3824
DIE NO: 4825	ISSUE NO: 1

ISS. NO: 1	ISS. DATE 26.05.2022	AUTH: KD	REG NO: SED 3777
------------	----------------------	----------	------------------



WPS NO: G37451	TOL'S: ISO 3302-1:2014 E1 (unless otherwise stated)
TITLE: S/R Section	NO: WS.50.1
MATERIAL: WS.50.1	SCALE: NTS
COLOUR: White	DRG NO: 3777
DIE NO: 4668	ISSUE NO: 1

ISS. NO: 1	ISS. DATE 19.04.2022	AUTH: KD	REG NO: SED 3638
------------	----------------------	----------	------------------

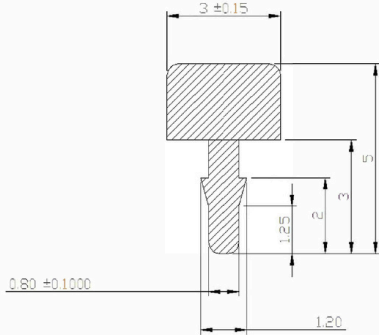


WPS NO: 167637b	TOL'S: ISO 3302-1:2014 E1 (unless otherwise stated)
TITLE: S/R Section	NO: WS.60.1
MATERIAL: WS.60.1	SCALE: NTS
COLOUR: RIOX	DRG NO: 3638
DIE NO: 4029	ISSUE NO: 1

T Section Pips

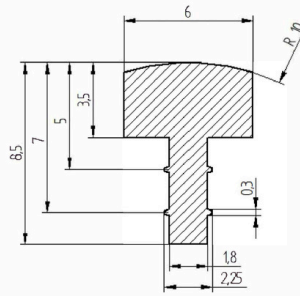


ISS. NO: 1 ISS. DATE 08.06.2022 AUTH: KD REG NO: SED 3881



WPS NO: 243153	TOL'S: ISO 3302-1:2014 E1 (unless otherwise stated)
TITLE: S/R Section	NO: WS.80.1.
MATERIAL: WS.80.1	SCALE: NTS
COLOUR: Violet RAL 4007	DRG NO: 3881
DIE NO: 4989	ISSUE NO: 1

ISS. NO: 1 ISS. DATE 06.06.2022 AUTH: KD REG NO: SED 3838



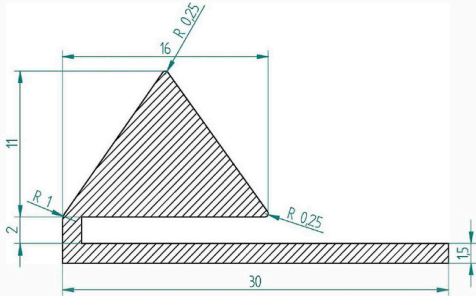
WPS NO: 229219	TOL'S: ISO 3302-1:2014 E1 (unless otherwise stated)
TITLE: S/R Section	NO: WS.60.1.
MATERIAL: WS.60.1.	SCALE: NTS
COLOUR: Black	DRG NO: 3838
DIE NO: 4852	ISSUE NO: 1

Triangular Section

Triangular Section

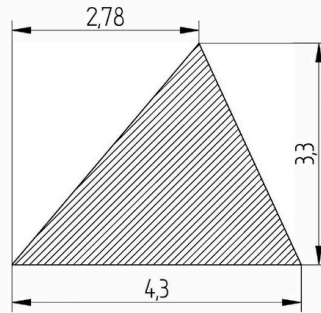


ISS. NO: 1 ISS. DATE: 27.03.09 AUTH: AH REG NO: SED 0790



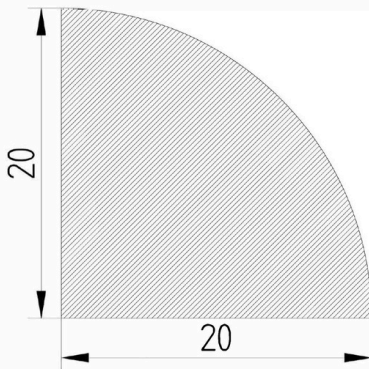
WPS NO:	TOLERANCES ISO 3302-1:2014(E) (unless otherwise stated)
TITLE: S/R PROFILE	NO:
MATERIAL: WS.40.1.R	SCALE: NTS
COLOUR: RED	DRG NO:
DIE NO: 2698	ISSUE NO:

ISS. NO: 1 ISS. DATE: 04.06.08 AUTH: AH REG NO: SED 0724



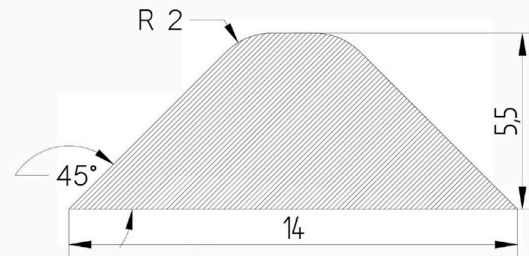
WPS NO:	TOL'S: ISO 3302-1:2014 E1 (unless otherwise stated)
TITLE: S/R Section	NO: WS.30.1.
MATERIAL: WS.30.1.	SCALE: NTS
COLOUR: Blue	DRG NO: 0724
DIE NO: 2370	ISSUE NO: 1

ISS. NO: 1 ISS. DATE 03.10.2013 AUTH: SP REG NO: SED 1496



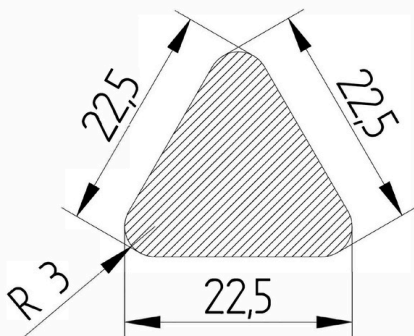
WPS NO:	TOL'S: ISO 3302-1:2014(E) (unless otherwise stated)
TITLE: S/R Section	NO: NGP.70.
MATERIAL: Platinum Cured 70°sh A	SCALE:
COLOUR: White	DRG NO:
DIE NO: 2223	ISSUE NO:

ISS. NO: 1 ISS. DATE 03.10.2013 AUTH: SP REG NO: SED 1484



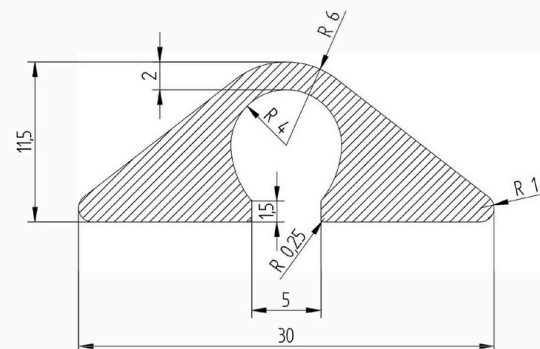
WPS NO:	TOL'S: ISO 3302-1:2014(E) (unless otherwise stated)
TITLE: S/R D Section	NO: WS.55.1.
MATERIAL: General Purpose 55°sh A	SCALE:
COLOUR: Blue 2	DRG NO:
DIE NO: 2296	ISSUE NO:

ISS. NO: 1 ISS. DATE 3.12.12 AUTH: AH REG NO: SED 1204



WPS NO:	TOL'S: ISO 3302-1:2014(E1)(unless otherwise stated)
TITLE: S/R PROFILE	NO: NGP 70
MATERIAL: WS.35.1.	SCALE:
COLOUR: TRANS	DRG NO:
DIE NO: 3265	ISSUE NO:

ISS. NO: 1 ISS. DATE 07.09.2010 AUTH: AH REG NO: SED 0921

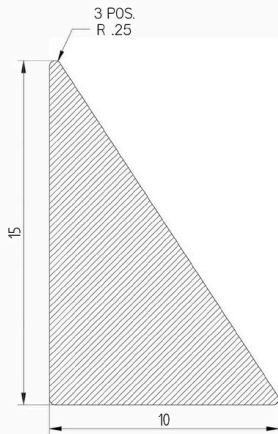


WPS NO:	TOL'S: ISO 3302-1:2014(E1)(unless otherwise stated)
TITLE: S/R PROFILE	NO: NGP 70
MATERIAL: NGP 70	SCALE: --
COLOUR:	DRG NO:
DIE NO: 2580	ISSUE NO:

Triangular Section



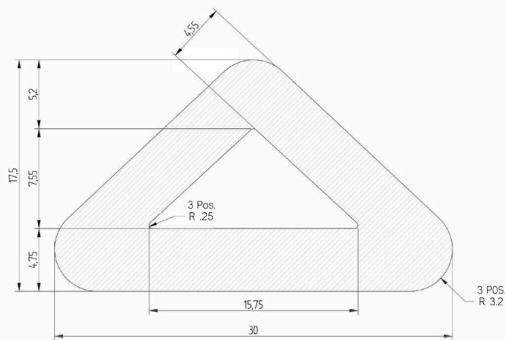
ISS. NO: 1	ISS. DATE: 05.10.2016	AUTH: SP	REG NO: SED 2297
------------	-----------------------	----------	------------------



ALL RADS 0.25MM MINIMUM UNLESS OTHERWISE STATED

WPS NO:	TOL'S: ISO 3302-1:2014 E1
TITLE: S/R Triangular Section	NO: WS.60.1.
MATERIAL: General Purpose, 60°sh A Hardness	SCALE: NTS
COLOUR: TBC	DRG NO: SED 2297
DIE NO: 4256/SB	ISSUE NO: 1

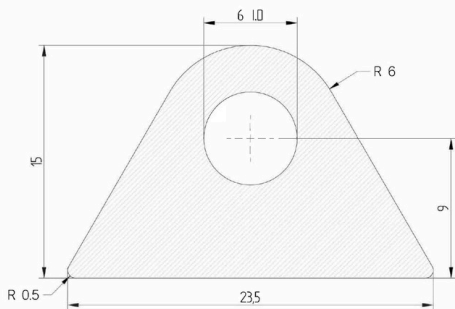
ISS. NO: 1	ISS. DATE: 10.12.2015	AUTH: SP	REG NO: SED 2090
------------	-----------------------	----------	------------------



ALL RADS 0.25MM MINIMUM UNLESS OTHERWISE STATED

WPS NO:	TOL'S: ISO 3302-1:2014 E1
TITLE: Section	NO: WS.60.1.
MATERIAL: WS.60.1.	SCALE: NTS
COLOUR: TBA	DRG NO: SED 2090
DIE NO: 4034/sb	ISSUE NO: 1

ISS. NO: 1	ISS. DATE: 27.11.2014	AUTH: SP	REG NO: SED 1860
------------	-----------------------	----------	------------------



ALL RADS 0.25MM MINIMUM UNLESS OTHERWISE STATED

WPS NO:	TOL'S: ISO 3302-1:2014 E1
TITLE: Section	NO: Met det 55
MATERIAL: Met det 55	SCALE: NTS
COLOUR: Blue	DRG NO: SED 1860
DIE NO: 3787/SB	ISSUE NO: 1

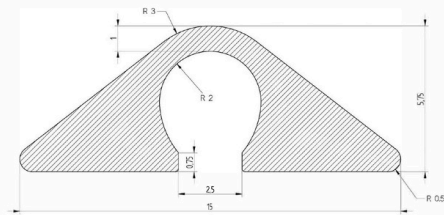
ISS. NO: 1	ISS. DATE: 14.06.2016	AUTH: SP	REG NO: SED 2192
------------	-----------------------	----------	------------------



MINIMUM RADS 0.25MM UNLESS OTHERWISE STATED

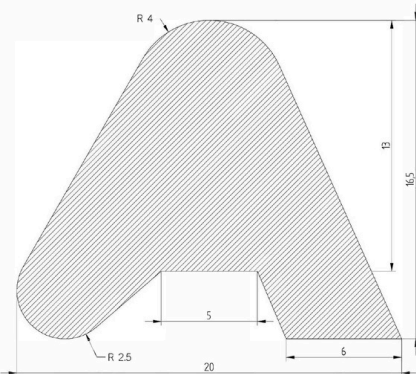
WPS NO:	TOL'S: ISO 3302-2014 CLASS E1 (unless otherwise stated)
TITLE: S/R Triangular Section	NO: WS.30.1.
MATERIAL: General Purpose, 30°sh A Hardness	SCALE: NTS
COLOUR: TBC	DRG NO: SED 2192
DIE NO: 4168/SB	ISSUE NO: 1

ISS. NO: 1	ISS. DATE: 31.03.2015	AUTH: SP	REG NO: SED 1912
------------	-----------------------	----------	------------------



WPS NO:	TOL'S ISO 3302-1:2014 E1 (unless otherwise stated)
TITLE: S/R Omega Section	NO: NGP.60.
MATERIAL: Platinum Cured, 60°sh A	SCALE:
COLOUR: Translucent	DRG NO: SED 1912
DIE NO: 3846/SB	ISSUE NO:1

ISS. NO: 1	ISS. DATE: 19.12.13	AUTH: AH	REG NO: SED 1641
------------	---------------------	----------	------------------

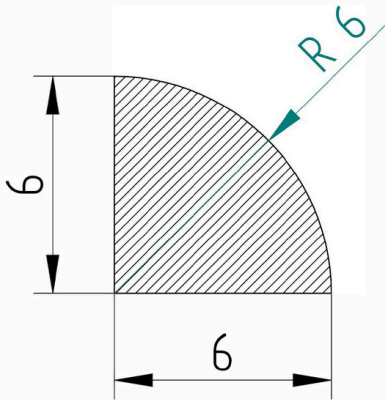


WPS NO:	TOL'S: ISO 3302-2014 CLASS E1 (unless otherwise stated)
TITLE: S/R Section	NO: WS 40.1
MATERIAL: General Purpose, 40°sh A	SCALE: /
COLOUR: White	DRG NO: /
DIE NO: 3527/SB	ISSUE NO:

Triangular Section

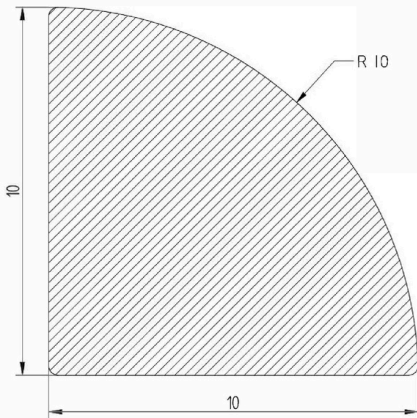


ISS. NO: 1	ISS. DATE: 14.06.18	AUTH: JL	REG NO: SED 2653
------------	---------------------	----------	------------------



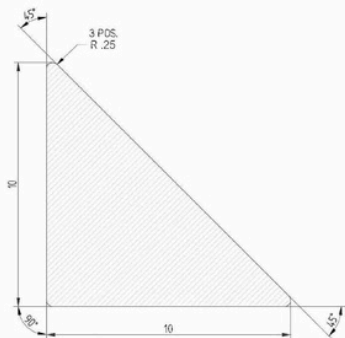
WPS NO:	TOL'S: ISO 3302-1:2014(E) (unless otherwise stated)
TITLE: S/R Profile	NO: MF775
MATERIAL: MF 775	SCALE: -
COLOUR: Black	DRG NO:- 2653
DIE NO:	ISSUE NO: 1

ISS. NO: 1	ISS. DATE: 30.05.17	AUTH: SP	REG NO: SED 2495
------------	---------------------	----------	------------------



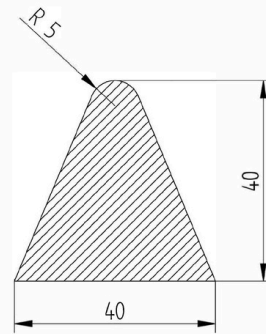
WPS NO:	TOL'S: ISO 3302-1:2014(E) (unless otherwise stated)
TITLE: S/R Profile	NO: MF775.68.
MATERIAL: MF775.68.	SCALE: -
COLOUR: Trans	DRG NO:- 2495
DIE NO: 4155/SB	ISSUE NO: 1

ISS. NO: 1	ISS. DATE: 02.05.2017	AUTH: SP	REG NO: SED 2427
------------	-----------------------	----------	------------------



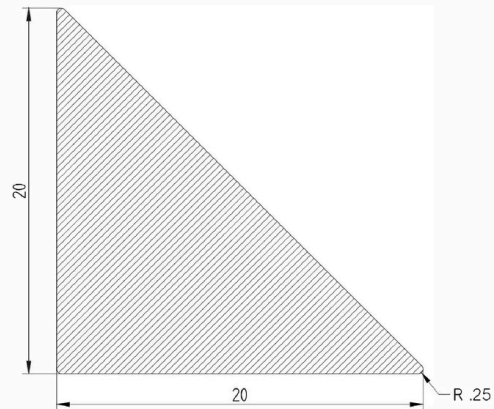
ALL RADS 0.25MM MINIMUM UNLESS OTHERWISE STATED	
WPS NO:	TOL'S: ISO 3302-1:2014 E1
TITLE: Section	NO: WS.60.1
MATERIAL: WS.60.1.	SCALE: NTS
COLOUR: White	DRG NO: SED 2427
DIE NO: 4363	ISSUE NO: 1

ISS. NO: 1	ISS. DATE: 31.01.18	AUTH: TH	REG NO: SED 2622
------------	---------------------	----------	------------------



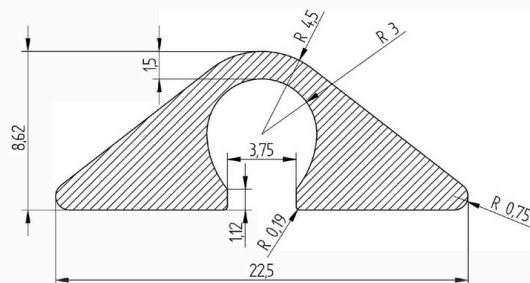
WPS NO:	TOL'S: ISO 3302-1:2014(E) (unless otherwise stated)
TITLE: S/R Profile	NO: WS.60.1
MATERIAL: WS.60.1	SCALE: -
COLOUR: White	DRG NO:- 2622
DIE NO: 4558	ISSUE NO: 1

ISS. NO: 1	ISS. DATE: 30.05.17	AUTH: SP	REG NO: SED 2493
------------	---------------------	----------	------------------



WPS NO:	TOL'S: ISO 3302-1:2014(E) (unless otherwise stated)
TITLE: S/R Profile	NO: WS.60.1.
MATERIAL: WS.60.1.	SCALE: -
COLOUR: White	DRG NO:- 2493
DIE NO: 4166/SB	ISSUE NO: 1

ISS. NO: 1	ISS. DATE: 05.11.2018	AUTH: JL	REG NO: SED 2702
------------	-----------------------	----------	------------------

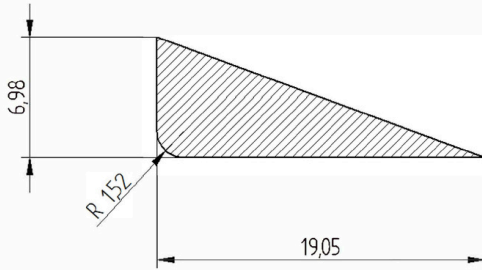


WPS NO: 208558	TOL'S: ISO 3302-1:2014 E1 (unless otherwise stated)
TITLE: S/R Section	NO: NGP 70
MATERIAL: NGP 70	SCALE: NTS
COLOUR: Trans	DRG NO: 2702
DIE NO: 4662	ISSUE NO: 1

Triangular Section

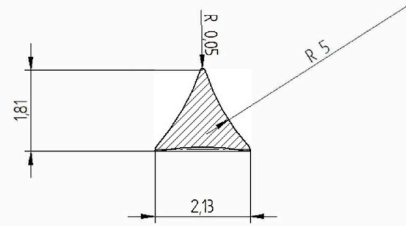


ISS. NO: 1 ISS. DATE 05.04.2022 AUTH: KD REG NO: SED 3536



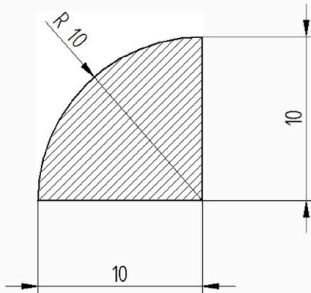
WPS NO:	TOL'S: ISO 3302-1:2014 E1 (unless otherwise stated)
TITLE: S/R Section	NO: WS.60.1.
MATERIAL: WS.60.1.	SCALE: NTS
COLOUR: White	DRG NO: 3536
DIE NO: 1187	ISSUE NO: 1

ISS. NO: 1 ISS. DATE 01.02.2022 AUTH: KD REG NO: SED 3136



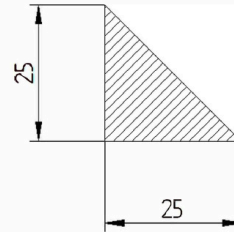
WPS NO: G29410	TOL'S: ISO 3302-1:2014 E1 (unless otherwise stated)
TITLE: S/R Section	NO: WS.60.1.
MATERIAL: WS.60.1.	SCALE: NTS
COLOUR: Grey	DRG NO: 3136
DIE NO: 3295	ISSUE NO: 1

ISS. NO: 1 ISS. DATE 01.02.2022 AUTH: KD REG NO: SED 3130



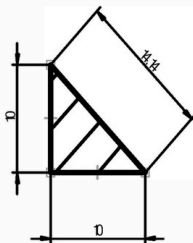
WPS NO:	TOL'S: ISO 3302-1:2014 E1 (unless otherwise stated)
TITLE: S/R Section	NO: WS.25.1.
MATERIAL: WS.25.1.	SCALE: NTS
COLOUR: Black	DRG NO: 3130
DIE NO: 3315	ISSUE NO: 1

ISS. NO: 1 ISS. DATE: 26.08.21 AUTH: KD REG NO: SED 2929



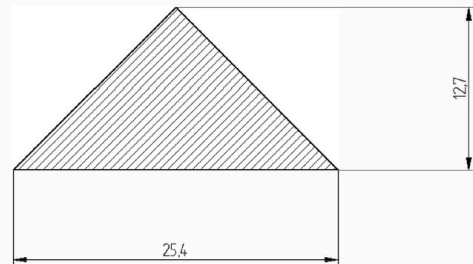
WPS NO:	TOL'S: ISO 3302-1:2014 E1 (unless otherwise stated)
TITLE: S/R Section	NO: NGP 60
MATERIAL: NGP 60	SCALE: NTS
COLOUR: White	DRG NO: 2929
DIE NO: 4997	ISSUE NO: 1

ISS. NO: 2 ISS. DATE: 24.06.2020 AUTH: KD REG NO: SED 2856



WPS NO:	TOL'S: ISO 3302-1:2014 E1 (unless otherwise stated)
TITLE: S/R Section	NO: NGP 60
MATERIAL: NGP 60	SCALE: NTS
COLOUR: White	DRG NO: 2856
DIE NO: 4861	ISSUE NO: 1

ISS. NO: 1 ISS. DATE 06.04.2022 AUTH: KD REG NO: SED 3541

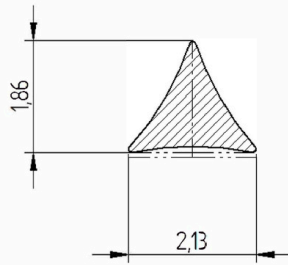


WPS NO:	TOL'S: ISO 3302-1:2014 E1 (unless otherwise stated)
TITLE: S/R Section	NO: WS.80.1.
MATERIAL: WS.80.1.	SCALE: NTS
COLOUR: White	DRG NO: 3541
DIE NO: 822	ISSUE NO: 1

Triangular Section

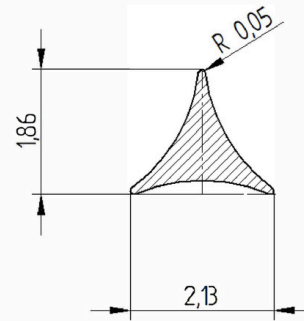


ISS. NO: 1 ISS. DATE 24.05.2022 AUTH: KD REG NO: SED 3764



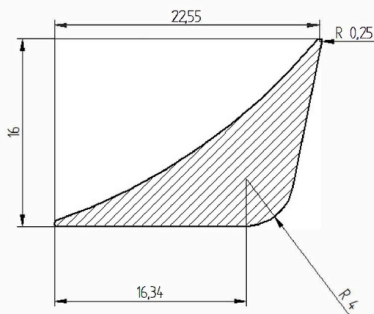
WPS NO: G37200	TOL'S: ISO 3302-1:2014 E1 (unless otherwise stated)
TITLE: S/R Section	NO: WS.60.1.
MATERIAL: WS.60.1.	SCALE: NTS
COLOUR: Grey	DRG NO: 3764
DIE NO: 4624	ISSUE NO: 1

ISS. NO: 1 ISS. DATE 13.05.2022 AUTH: KD REG NO: SED 3718



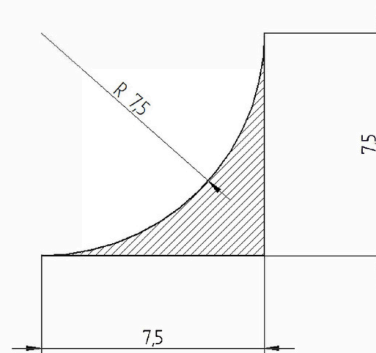
WPS NO: G36708	TOL'S: ISO 3302-1:2014 E1 (unless otherwise stated)
TITLE: S/R Section	NO: WS.60.1.
MATERIAL: WS.60.1.	SCALE: NTS
COLOUR: Grey RAL 7040	DRG NO: 3718
DIE NO: 4500	ISSUE NO: 1

ISS. NO: 1 ISS. DATE 04.05.2022 AUTH: KD REG NO: SED 3677



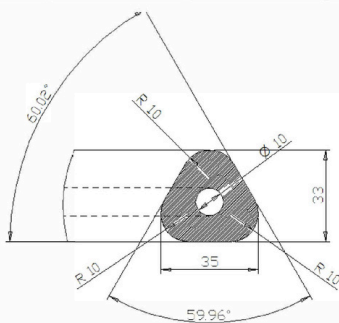
WPS NO: 185647	TOL'S: ISO 3302-1:2014 E1 (unless otherwise stated)
TITLE: S/R Section	NO: WS.60.5.
MATERIAL: WS.60.5.	SCALE: NTS
COLOUR: White	DRG NO: 3677
DIE NO: 4338	ISSUE NO: 1

ISS. NO: 1 ISS. DATE 08.04.2022 AUTH: KD REG NO: SED 3567



WPS NO: 154417	TOL'S: ISO 3302-1:2014 E1 (unless otherwise stated)
TITLE: S/R Section	NO: WS.65.1
MATERIAL: WS.65.1	SCALE: NTS
COLOUR: Trans	DRG NO: 3567
DIE NO: 3766	ISSUE NO: 1

ISS. NO: 1 ISS. DATE 01.06.2022 AUTH: KD REG NO: SED 3818



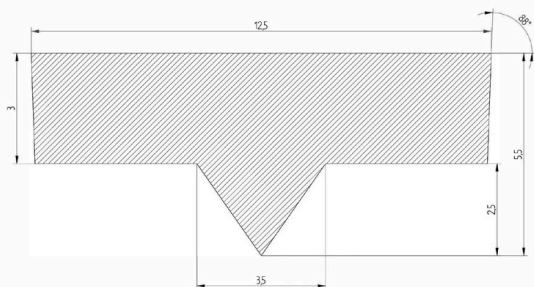
WPS NO: 222617	TOL'S: ISO 3302-1:2014 E1 (unless otherwise stated)
TITLE: S/R Section	NO: WS.70.5
MATERIAL: WS.70.5	SCALE: NTS
COLOUR: Anthracit2	DRG NO: 3818
DIE NO: 4807	ISSUE NO: 1

T Sections

T Sections

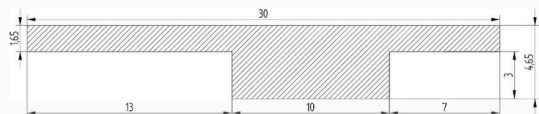


ISS. NO: 1	ISS. DATE 21.10.2013	AUTH: SP	REG NO: SED 1552
------------	----------------------	----------	------------------



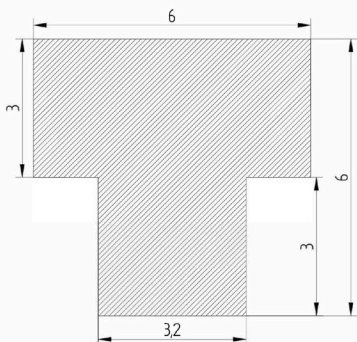
WPS NO:	TOL'S: ISO 3302-1:2014(E) (unless otherwise stated)
TITLE: S/R 'T' Section	NO: WS.35.1.
MATERIAL: General Purpose, 35 ^o sh A Hardness	SCALE: NTS
COLOUR: Blue 3	DRG NO: SED 1552
DIE NO: 3492/SB	ISSUE NO: 1

ISS. NO: 1	ISS. DATE 01.10.2013	AUTH: SP	REG NO: SED 1467
------------	----------------------	----------	------------------



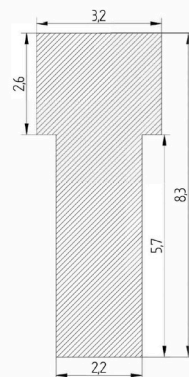
ALL RADS 0.25MM MINIMUM UNLESS OTHERWISE STATED	
WPS NO:	TOL'S: ISO 3302-1:2014(E) (unless otherwise stated)
TITLE: S/R 'T' Section	NO: WS.40.5.
MATERIAL: High Temp to 300 ^o c, 40 ^o sh A	SCALE: NTS
COLOUR: Natural	DRG NO: SED 1467
DIE NO: 3480/SB	ISSUE NO: 1

ISS. NO: 1	ISS. DATE 30.09.2013	AUTH: SP	REG NO: SED 1450
------------	----------------------	----------	------------------



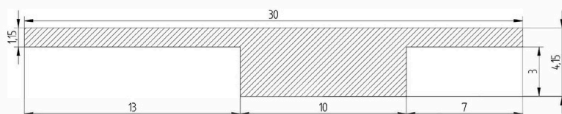
ALL RADS 0.25MM MINIMUM UNLESS OTHERWISE STATED	
WPS NO:	TOL'S: ISO 3302-1:2014(E) (unless otherwise stated)
TITLE: S/R 'T' Section	NO: WS.70.1.
MATERIAL: General Purpose, 70 ^o sh A Hardness	SCALE: NTS
COLOUR: Red Oxide	DRG NO: SED 1450
DIE NO: 1837/SB	ISSUE NO: 1

ISS. NO: 1	ISS. DATE 09.10.2013	AUTH: SP	REG NO: SED 1518
------------	----------------------	----------	------------------



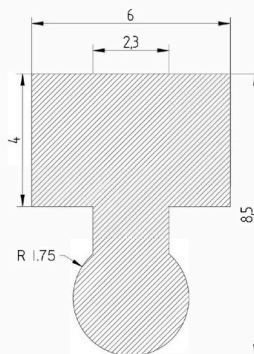
ALL RADS 0.25MM MINIMUM UNLESS OTHERWISE STATED	
WPS NO:	TOL'S: ISO 3302-1:2014(E) (unless otherwise stated)
TITLE: S/R 'T' Section	NO: WS.70.1.
MATERIAL: General Purpose, 70 ^o sh A Hardness	SCALE: NTS
COLOUR: Black	DRG NO: SED 1518
DIE NO: 3478/SB	ISSUE NO: 1

ISS. NO: 1	ISS. DATE 01.10.2013	AUTH: SP	REG NO: SED 1466
------------	----------------------	----------	------------------



ALL RADS 0.25MM MINIMUM UNLESS OTHERWISE STATED	
WPS NO:	TOL'S: ISO 3302-1:2014(E) (unless otherwise stated)
TITLE: S/R 'T' Section	NO: WS.40.5.
MATERIAL: High Temp to 300 ^o c, 40 ^o sh A	SCALE: NTS
COLOUR: Natural	DRG NO: SED 1466
DIE NO: 3479/SB	ISSUE NO: 1

ISS. NO: 1	ISS. DATE 14.11.2013	AUTH: SP	REG NO: SED 1597
------------	----------------------	----------	------------------

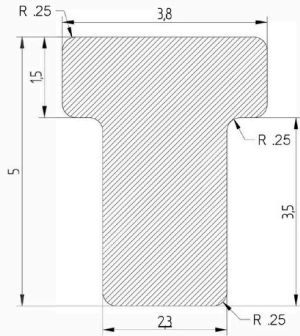


ALL RADS 0.25MM MINIMUM UNLESS OTHERWISE STATED	
WPS NO:	TOL'S: ISO 3302-1:2014(E) (unless otherwise stated)
TITLE: S/R 'T' Section	NO: WS.65.1.
MATERIAL: General Purpose, 65 ^o sh A Hardness	SCALE: NTS
COLOUR: Red Oxide	DRG NO: SED 1597
DIE NO: 1921/SB	ISSUE NO: 1

T Sections



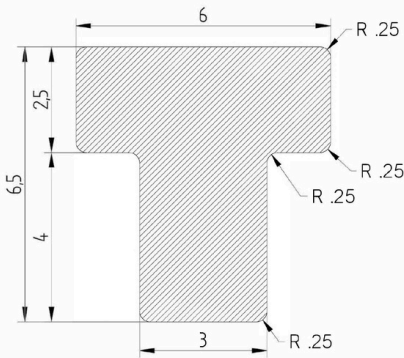
ISS. NO: 1	ISS. DATE: 11.05.17	AUTH: SP	REG NO: SED 2454
------------	---------------------	----------	------------------



ALL RADS 0.25MM MINIMUM UNLESS OTHERWISE STATED

WPS NO:	TOL'S: ISO 3302-1:2014 E1
TITLE: Section	NO: WS.60.1
MATERIAL: WS.60.1	SCALE: NTS
COLOUR: RIOX	DRG NO: SED 2454
DIE NO: 4292/sb	ISSUE NO: 1

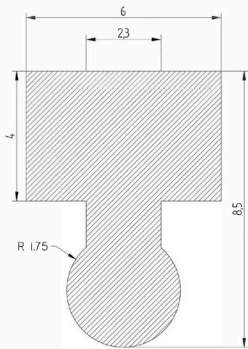
ISS. NO: 1	ISS. DATE: 02.02.17	AUTH: SP	REG NO: SED 2372
------------	---------------------	----------	------------------



ALL RADS 0.25MM MINIMUM UNLESS OTHERWISE STATED

WPS NO:	TOL'S: ISO 3302-1:2014 E1
TITLE: Section	NO: WS.80.1
MATERIAL: WS.80.1	SCALE: NTS
COLOUR: Trans	DRG NO: SED 2372
DIE NO: 4341/sb	ISSUE NO: 1

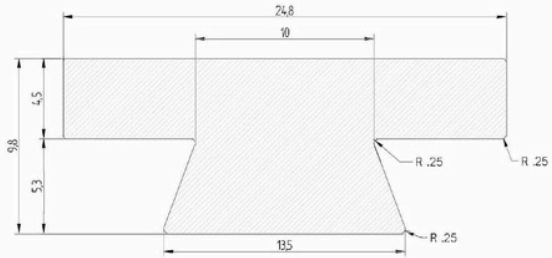
ISS. NO: 1	ISS. DATE: 23.10.2013	AUTH: SP	REG NO: SED 1608
------------	-----------------------	----------	------------------



ALL RADS 0.25MM MINIMUM UNLESS OTHERWISE STATED

WPS NO:	TOL'S: ISO 3302-1:2014 E1
TITLE: Section	NO: WS.50.1
MATERIAL: WS.50.1	SCALE: NTS
COLOUR: RIOX	DRG NO: SED 1608
DIE NO: 1899	ISSUE NO: 1

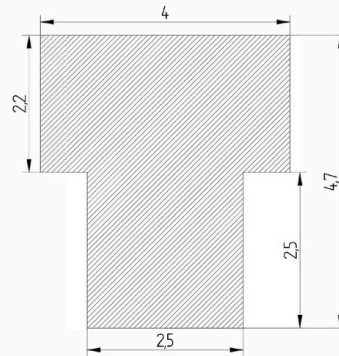
ISS. NO: 1	ISS. DATE: 27.02.17	AUTH: SP	REG NO: SED 2386
------------	---------------------	----------	------------------



ALL RADS 0.25MM MINIMUM UNLESS OTHERWISE STATED

WPS NO:	TOL'S: ISO 3302-1:2014 E1
TITLE: Section	NO: WS.60.1
MATERIAL: WS.60.1	SCALE: NTS
COLOUR: White	DRG NO: SED 2386
DIE NO: 4359/sb	ISSUE NO: 1

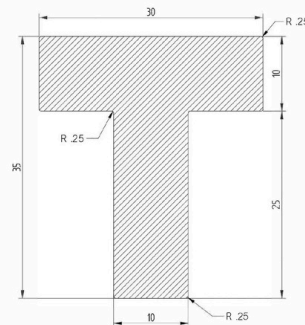
ISS. NO: 1	ISS. DATE: 26.11.2013	AUTH: SP	REG NO: SED 1633
------------	-----------------------	----------	------------------



ALL RADS 0.25MM MINIMUM UNLESS OTHERWISE STATED

WPS NO:	TOL'S: ISO 3302-1:2014 E1 (unless otherwise stated)
TITLE: S/R T Section	NO: WS.55.1
MATERIAL: General Purpose 55*sh A	SCALE:
COLOUR: Green 2	DRG NO:
DIE NO: 3506/SB	ISSUE NO:

ISS. NO: 1	ISS. DATE: 11.05.17	AUTH: SP	REG NO: SED 2456
------------	---------------------	----------	------------------



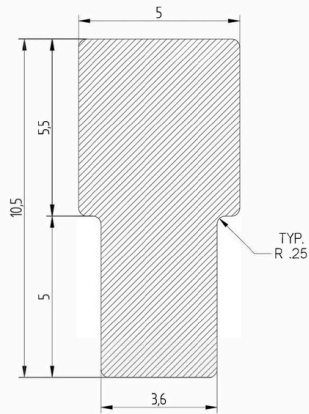
ALL RADS 0.25MM MINIMUM UNLESS OTHERWISE STATED

WPS NO:	TOL'S: ISO 3302-1:2014 E1
TITLE: Section	NO: WS.60.1
MATERIAL: WS.60.1	SCALE: NTS
COLOUR: Trans	DRG NO: SED 2456
DIE NO: 42/sb	ISSUE NO: 1

T Sections

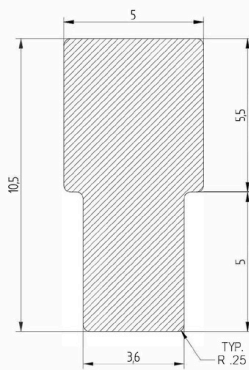


ISS. NO: 1	ISS. DATE: 13.06.17	AUTH: SP	REG NO: SED 2526
------------	---------------------	----------	------------------



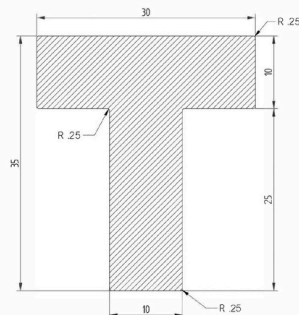
WPS NO:	TOL'S: ISO 3302-1:2014(E) (unless otherwise stated)
TITLE: S/R Profile	NO: WS.50.1
MATERIAL: WS.50.1	SCALE: -
COLOUR: Green	DRG NO:- 2526
DIE NO: 4026/sb	ISSUE NO: 1

ISS. NO: 1	ISS. DATE: 06.06.17	AUTH: SP	REG NO: SED 2512
------------	---------------------	----------	------------------



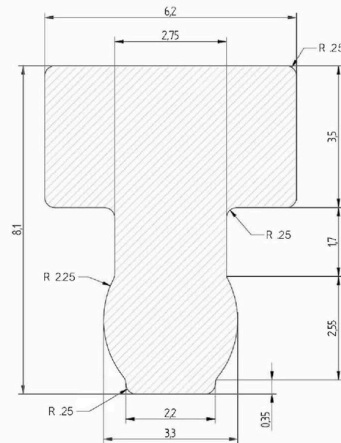
WPS NO:	TOL'S: ISO 3302-1:2014(E) (unless otherwise stated)
TITLE: S/R Profile	NO: WS.75.1
MATERIAL: WS.75.1	SCALE: -
COLOUR: Green	DRG NO:- 2512
DIE NO: 4070/sb	ISSUE NO: 1

ISS. NO: 1	ISS. DATE: 11.05.17	AUTH: SP	REG NO: SED 2456
------------	---------------------	----------	------------------



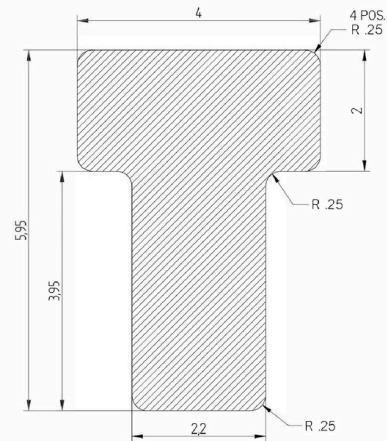
ALL RADRS 0.25MM MINIMUM UNLESS OTHERWISE STATED	
WPS NO:	TOL'S: ISO 3302-1:2014 E1
TITLE: Section	NO: WS.60.1
MATERIAL: WS.60.1	SCALE: NTS
COLOUR: Trans	DRG NO: SED 2456
DIE NO: 4283/sb	ISSUE NO: 1

ISS. NO: 1	ISS. DATE: 08.06.17	AUTH: SP	REG NO: SED 2519
------------	---------------------	----------	------------------



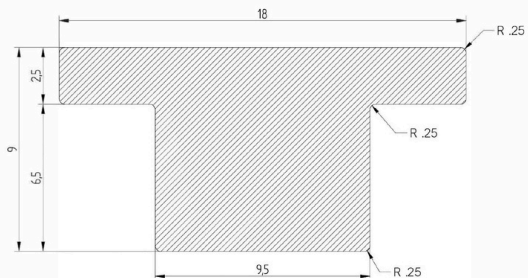
WPS NO:	TOL'S: ISO 3302-1:2014(E) (unless otherwise stated)
TITLE: S/R Profile	NO: WS.55.1
MATERIAL: WS.55.1	SCALE: -
COLOUR: RIOX	DRG NO:- 2519
DIE NO:	ISSUE NO: 1

ISS. NO: 1	ISS. DATE: 23.05.17	AUTH: SP	REG NO: SED 2472
------------	---------------------	----------	------------------



WPS NO:	TOL'S: ISO 3302-1:2014(E) (unless otherwise stated)
TITLE: S/R Profile	NO: WS.90.1
MATERIAL: WS.90.1	SCALE: -
COLOUR: Blue 6 RAL 5015	DRG NO:- 2472
DIE NO: 4232/sb	ISSUE NO: 1

ISS. NO: 1	ISS. DATE: 14.06.17	AUTH: TH	REG NO: SED 2533
------------	---------------------	----------	------------------

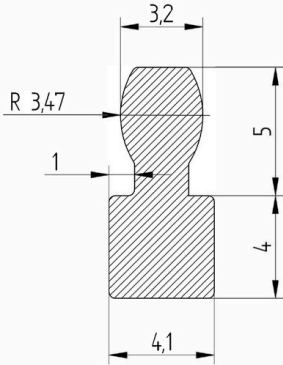


WPS NO:	TOL'S: ISO 3302-1:2014(E) (unless otherwise stated)
TITLE: S/R Profile	NO: WS.70.1
MATERIAL: WS.70.1	SCALE: -
COLOUR: RIOX	DRG NO:- 2533
DIE NO: 4004/sb	ISSUE NO: 1

T Sections

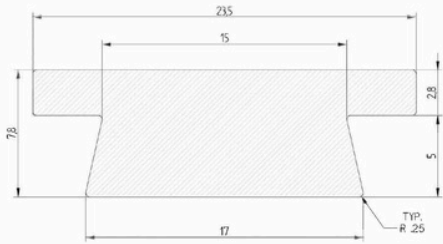


ISS. NO: 1	ISS. DATE: 10.01.2018	AUTH: TH	REG NO: SED 2616
------------	-----------------------	----------	------------------



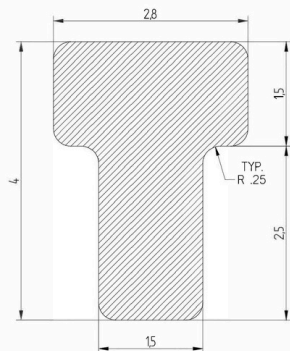
ALL RADS 0.25MM MINIMUM UNLESS OTHERWISE STATED	
WPS NO:	TOL'S: ISO 3302-1:2014 E1 (unless otherwise stated)
TITLE: S/R Section	NO: WS.50.1.
MATERIAL: WS.50.1.	SCALE: NTS
COLOUR: Trans	DRG NO: SED 2616
DIE NO:	ISSUE NO: 1

ISS. NO: 1	ISS. DATE: 20.07.17	AUTH: SP	REG NO: SED 2565
------------	---------------------	----------	------------------



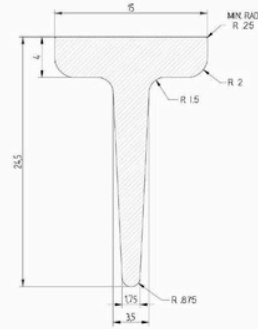
ALL RADS 0.25MM MINIMUM UNLESS OTHERWISE STATED	
WPS NO:	TOL'S: ISO 3302-1:2014 E1
TITLE: Section	NO: WS.40.1.
MATERIAL: WS.40.1.	SCALE: NTS
COLOUR: Trans	DRG NO: SED 2565
DIE NO:	ISSUE NO: 1

ISS. NO: 1	ISS. DATE: 21.06.17	AUTH: SP	REG NO: SED 2553
------------	---------------------	----------	------------------



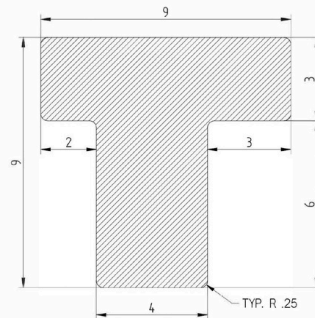
ALL RADS 0.25MM MINIMUM UNLESS OTHERWISE STATED	
WPS NO:	TOL'S: ISO 3302-1:2014 E1
TITLE: Section	NO: WS.60.1.
MATERIAL: WS.60.1.	SCALE: NTS
COLOUR: Trans	DRG NO: SED 2553
DIE NO: 3919/SB	ISSUE NO: 1

ISS. NO: 1	ISS. DATE: 11.10.2017	AUTH: sP	REG NO: SED 2583
------------	-----------------------	----------	------------------



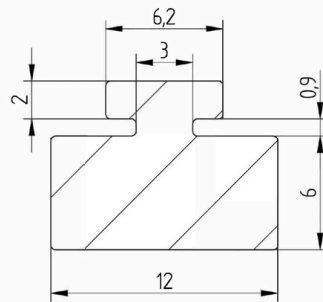
ALL RADS 0.25MM MINIMUM UNLESS OTHERWISE STATED	
WPS NO:	TOL'S: ISO 3302-1:2014 E1
TITLE: Section	NO: WS.80.1.
MATERIAL: WS.80.1.	SCALE: NTS
COLOUR: Trans	DRG NO: SED 2583
DIE NO:	ISSUE NO: 1

ISS. NO: 1	ISS. DATE: 20.07.17	AUTH: SP	REG NO: SED 2564
------------	---------------------	----------	------------------



ALL RADS 0.25MM MINIMUM UNLESS OTHERWISE STATED	
WPS NO:	TOL'S: ISO 3302-1:2014 E1
TITLE: Section	NO: WS.40.1.
MATERIAL: WS.40.1.	SCALE: NTS
COLOUR: Trans	DRG NO: SED 2564
DIE NO: 4452	ISSUE NO: 1

ISS. NO: 1	ISS. DATE: 27.02.18	AUTH: TH	REG NO: SED 2634
------------	---------------------	----------	------------------

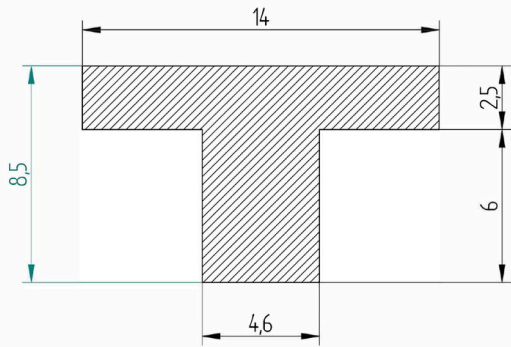


WPS NO:	TOL'S: ISO 3302-1:2014(E) (unless otherwise stated)
TITLE: S/R Profile	NO: WS.40.1.
MATERIAL: WS.40.1	SCALE: -
COLOUR: TBA	DRG NO: 2634
DIE NO: 4567	ISSUE NO: 1

T Sections

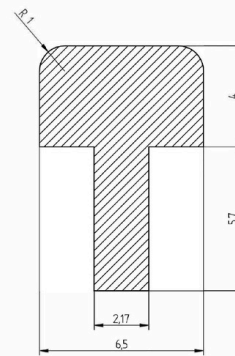


ISS. NO: 1	ISS. DATE: 14.03.19	AUTH: JL	REG NO: SED 2744
------------	---------------------	----------	------------------



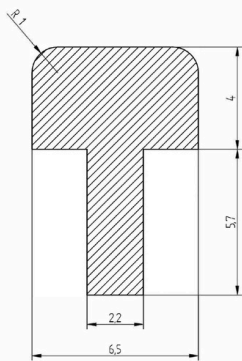
WPS NO: G37675	TOL'S: ISO 3302-1:2014 E1 (unless otherwise stated)
TITLE: S/R Section	NO: WS.60.1.
MATERIAL: WS.60.1.	SCALE: NTS
COLOUR: RIOX	DRG NO: 2744
DIE NO: 4718	ISSUE NO: 1

ISS. NO: 1	ISS. DATE: 21.11.2018	AUTH: JL	REG NO: SED 2709
------------	-----------------------	----------	------------------



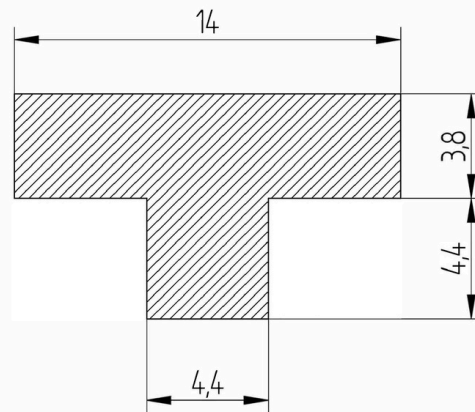
WPS NO: 211275	TOL'S: ISO 3302-1:2014 E1 (unless otherwise stated)
TITLE: S/R Section	NO: WS.80.1
MATERIAL: WS.80.1	SCALE: NTS
COLOUR: Blue 2	DRG NO: 2709
DIE NO:	ISSUE NO: 1

ISS. NO: 2	ISS. DATE: 23.05.19	AUTH: JL	REG NO: SED 2709
------------	---------------------	----------	------------------



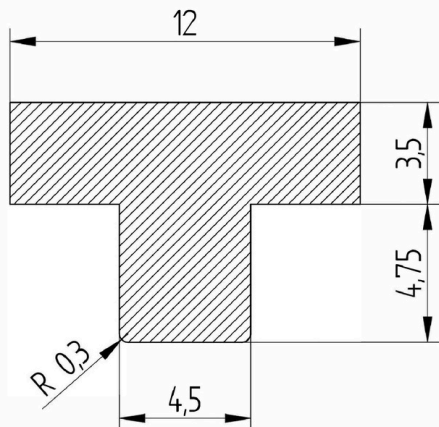
WPS NO:	TOL'S: ISO 3302-1:2014 E1 (unless otherwise stated)
TITLE: S/R Section	NO: WS.80.1.
MATERIAL: WS.80.1	SCALE: NTS
COLOUR: Blue 2	DRG NO: 2709
DIE NO:	ISSUE NO: 2

ISS. NO: 1	ISS. DATE: 27.07.18	AUTH: JL	REG NO: SED 2673
------------	---------------------	----------	------------------



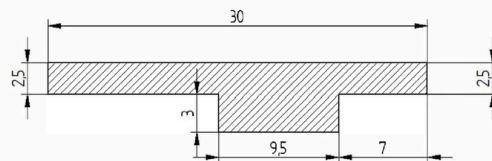
WPS NO:	TOL'S: ISO 3302-1:2014(E) (unless otherwise stated)
TITLE: S/R F PROFILE	NO: WS.60.1
MATERIAL: WS.60.1	SCALE: -
COLOUR: Trans	DRG NO:- 2673
DIE NO: 4639	ISSUE NO: 1

ISS. NO: 1	ISS. DATE: 27.07.18	AUTH: JL	REG NO: SED 2672
------------	---------------------	----------	------------------



WPS NO:	TOL'S: ISO 3302-1:2014(E) (unless otherwise stated)
TITLE: S/R F PROFILE	NO: WS.60.1
MATERIAL: WS.60.1	SCALE: -
COLOUR: Trans	DRG NO:- 26732
DIE NO:4637	ISSUE NO: 1

ISS. NO: 1	ISS. DATE: 03.07.19	AUTH: JP	REG NO: SED 2773
------------	---------------------	----------	------------------

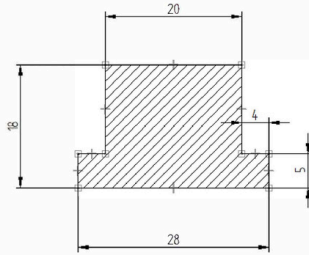


WPS NO: 219408	TOL'S: ISO 3302-1:2014 E1 (unless otherwise stated)
TITLE: S/R Section	NO: WS.40.5
MATERIAL: WS.40.5	SCALE: NTS
COLOUR: Trans	DRG NO: 2773
DIE NO: 4763	ISSUE NO: 1

T Sections

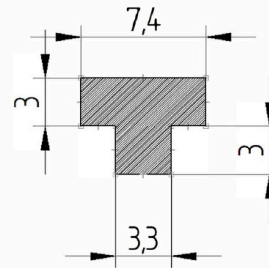


ISS. NO: 1 ISS. DATE: 07.09.2020 AUTH: KD REG NO: SED 2877



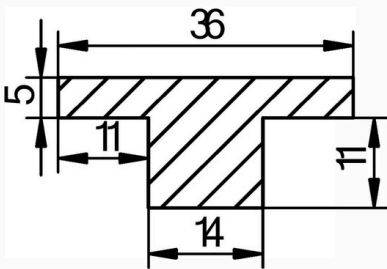
WPS NO:	TOL'S: ISO 3302-1:2014 E1 (unless otherwise stated)
TITLE: S/R Section	NO: WS.60.1.
MATERIAL: WS.60.1.	SCALE: NTS
COLOUR: White	DRG NO: 2877
DIE NO: 4896	ISSUE NO: 1

ISS. NO: 1 ISS. DATE: 17.07.20 AUTH: KD REG NO: SED 2867



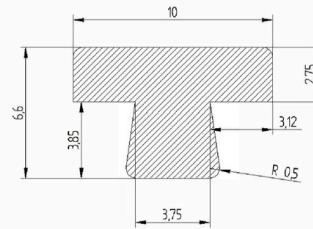
WPS NO:	TOL'S: ISO 3302-1:2014 E1 (unless otherwise stated)
TITLE: S/R Section	NO: WS.50.1.
MATERIAL: WS.50.1.	SCALE: NTS
COLOUR: Blue	DRG NO: 2867
DIE NO: 4866	ISSUE NO: 1

ISS. NO: 1 ISS. DATE: 18.03.20 AUTH: KD REG NO: SED 2835



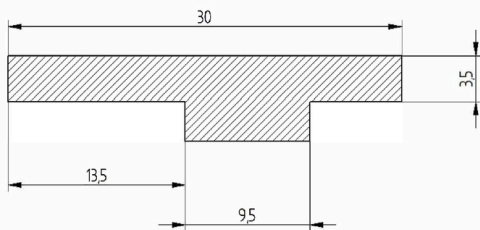
WPS NO:	TOL'S: ISO 3302-1:2014 E1 (unless otherwise stated)
TITLE: S/R Section	NO: WS.60.1
MATERIAL: WS.60.1	SCALE: NTS
COLOUR: Trans	DRG NO: 2835
DIE NO: 4837	ISSUE NO: 1

ISS. NO: 1 ISS. DATE: 15.07.19 AUTH: KD REG NO: SED 2778



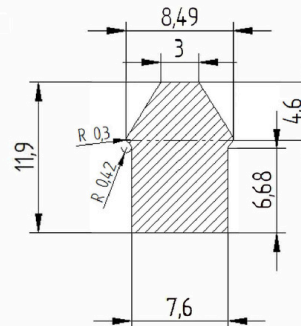
WPS NO:	TOL'S: ISO 3302-1:2014 E1 (unless otherwise stated)
TITLE: S/R Section	NO: WS.50.1
MATERIAL: WS.50.1	SCALE: NTS
COLOUR: Black	DRG NO: 2778
DIE NO: 4745	ISSUE NO: 1

ISS. NO: 1 ISS. DATE: 03.07.19 AUTH: JP REG NO: SED 2774



WPS NO: 219408	TOL'S: ISO 3302-1:2014 E1 (unless otherwise stated)
TITLE: S/R Section	NO: WS.40.5
MATERIAL: WS.40.5	SCALE: NTS
COLOUR: Trans	DRG NO: 2774
DIE NO: 4762	ISSUE NO: 1

ISS. NO: 1 ISS. DATE: 12.03.21 AUTH: KD REG NO: SED 2908

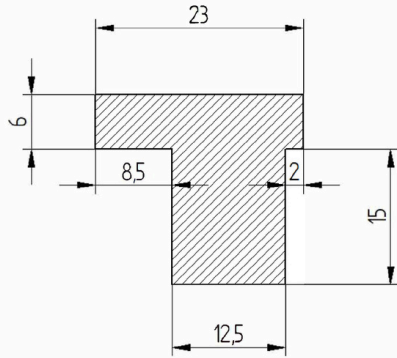


WPS NO:	TOL'S: ISO 3302-1:2014 E1 (unless otherwise stated)
TITLE: S/R Section	NO: WS.55.1
MATERIAL: WS.55.1	SCALE: NTS
COLOUR: RIOX	DRG NO: 2908
DIE NO:	ISSUE NO: 1

T Sections

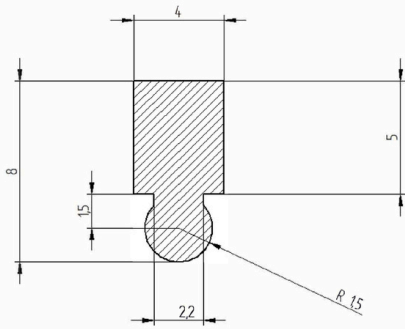


ISS. NO: 1 ISS. DATE: 22.02.2022 AUTH: KD REG NO: SED 3292



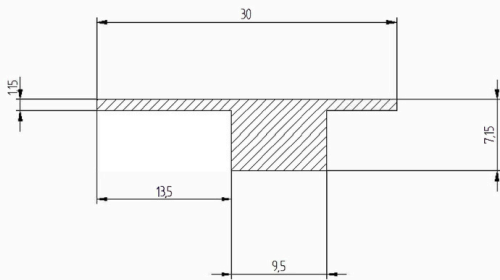
WPS NO: 113500	TOL'S: ISO 3302-1:2014 E1 (unless otherwise stated)
TITLE: S/R Section	NO: WS.70.1
MATERIAL: WS.70.1	SCALE: NTS
COLOUR: black	DRG NO: 3292
DIE NO: 2779	ISSUE NO: 1

ISS. NO: 1 ISS. DATE: 03.12.21 AUTH: KD REG NO: SED 3096



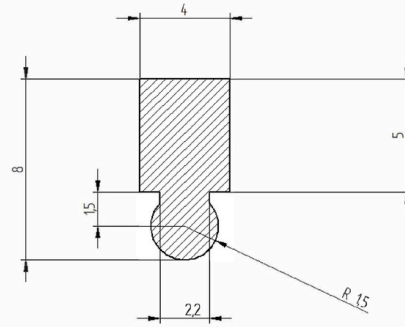
WPS NO: G31477b	TOL'S: ISO 3302-1:2014 E1 (unless otherwise stated)
TITLE: S/R Section	NO: WS.30.1
MATERIAL: WS.30.1	SCALE: NTS
COLOUR: Blue	DRG NO: 3096
DIE NO: 3511	ISSUE NO: 1

ISS. NO: 1 ISS. DATE: 27.10.2021 AUTH: KD REG NO: SED 3091



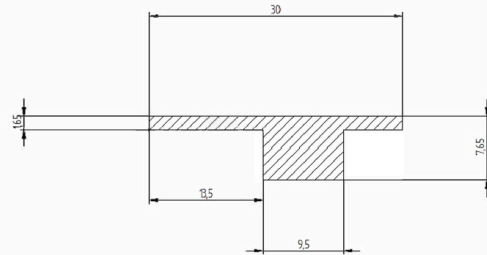
WPS NO:	TOL'S: ISO 3302-1:2014 E1 (unless otherwise stated)
TITLE: S/R Section	NO: WS.40.5
MATERIAL: WS.40.5	SCALE: NTS
COLOUR: TBA	DRG NO: 3091
DIE NO:	ISSUE NO: 1

ISS. NO: 1 ISS. DATE: 03.12.2021 AUTH: KD REG NO: SED 3097



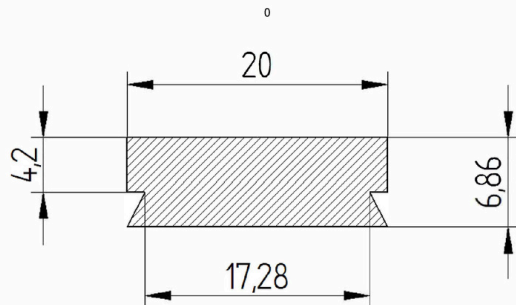
WPS NO: G31477a	TOL'S: ISO 3302-1:2014 E1 (unless otherwise stated)
TITLE: S/R Section	NO: WS.50.1
MATERIAL: WS.50.1	SCALE: NTS
COLOUR: Grey	DRG NO: 3097
DIE NO: 3510	ISSUE NO: 1

ISS. NO: 1 ISS. DATE: 27.10.2021 AUTH: KD REG NO: SED 3092



WPS NO:	TOL'S: ISO 3302-1:2014 E1 (unless otherwise stated)
TITLE: S/R Section	NO: WS.40.5
MATERIAL: WS.40.5	SCALE: NTS
COLOUR: TBA	DRG NO: 3092
DIE NO:	ISSUE NO: 1

ISS. NO: 1 ISS. DATE: 23.02.2022 AUTH: KD REG NO: SED 3300

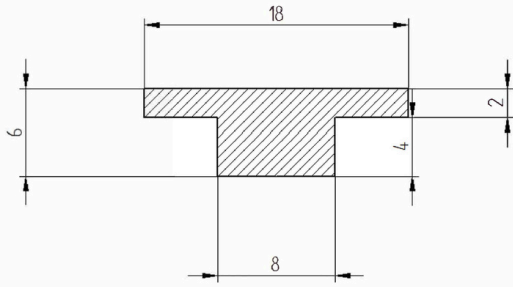


WPS NO: G18805	TOL'S: ISO 3302-1:2014 E1 (unless otherwise stated)
TITLE: S/R Section	NO: WS.53.1
MATERIAL: WS.53.1	SCALE: NTS
COLOUR: Green	DRG NO: 3300
DIE NO: 2746	ISSUE NO: 1

T Sections

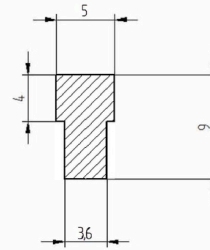


ISS. NO: 1 ISS. DATE 11.04.2022 AUTH: KD REG NO: SED 3602



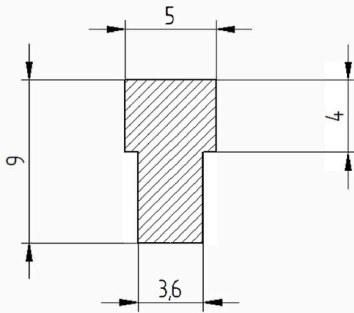
WPS NO: 160709	TOL'S: ISO 3302-1:2014 E1 (unless otherwise stated)
TITLE: S/R Section	NO: WS.60.1.
MATERIAL: WS.60.1.	SCALE: NTS
COLOUR: White	DRG NO: 3602
DIE NO: 3874	ISSUE NO: 1

ISS. NO: 1 ISS. DATE 08.04.2022 AUTH: KD REG NO: SED 3577



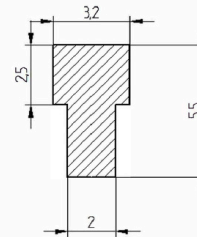
WPS NO: 155640	TOL'S: ISO 3302-1:2014 E1 (unless otherwise stated)
TITLE: S/R Section	NO: WS.45.1.
MATERIAL: WS.45.1.	SCALE: NTS
COLOUR: Blue 2	DRG NO: 3577
DIE NO: 3785	ISSUE NO: 1

ISS. NO: 1 ISS. DATE 08.04.2022 AUTH: KD REG NO: SED 3566



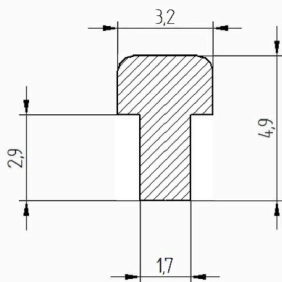
WPS NO: 154683	TOL'S: ISO 3302-1:2014 E1 (unless otherwise stated)
TITLE: S/R Section	NO: WS.85.1
MATERIAL: WS.85.1	SCALE: NTS
COLOUR: RIOX	DRG NO: 3566
DIE NO: 3764	ISSUE NO: 1

ISS. NO: 1 ISS. DATE 15.03.2022 AUTH: KD REG NO: SED 3492



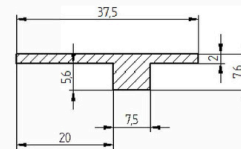
WPS NO: G8186b	TOL'S: ISO 3302-1:2014 E1 (unless otherwise stated)
TITLE: S/R Section	NO: WS.80.1
MATERIAL: WS.80.1	SCALE: NTS
COLOUR: Black	DRG NO: 3492
DIE NO: 1879	ISSUE NO: 1

ISS. NO: 1 ISS. DATE 10.03.2022 AUTH: KD REG NO: SED 3454



WPS NO: G13615	TOL'S: ISO 3302-1:2014 E1 (unless otherwise stated)
TITLE: S/R Section	NO: WS.70.1.
MATERIAL: WS.70.1.	SCALE: NTS
COLOUR: RIOX	DRG NO: 3454
DIE NO: 2200	ISSUE NO: 1

ISS. NO: 1 ISS. DATE 12.04.2022 AUTH: KD REG NO: SED 3612

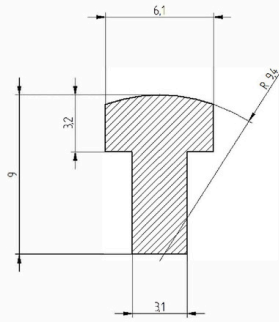


WPS NO: 161614	TOL'S: ISO 3302-1:2014 E1 (unless otherwise stated)
TITLE: S/R Section	NO: WS.70.1.
MATERIAL: WS.70.1.	SCALE: NTS
COLOUR: Black	DRG NO: 3612
DIE NO: 3895	ISSUE NO: 1

T Sections

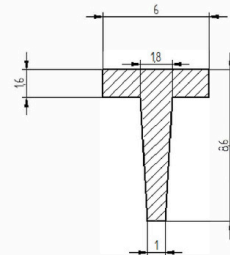


ISS. NO: 1 ISS. DATE 19.05.2022 AUTH: KD REG NO: SED 3747



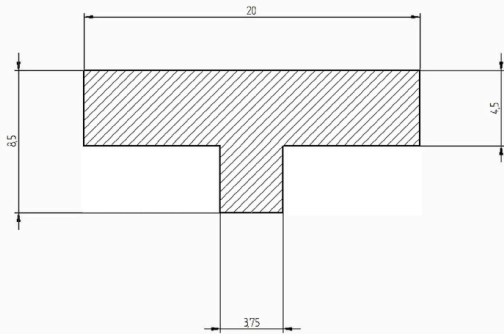
WPS NO: 202610a	TOL'S: ISO 3302-1:2014 E1 (unless otherwise stated)
TITLE: S/R Section	NO: WS.50.1
MATERIAL: WS.50.1	SCALE: NTS
COLOUR: Red	DRG NO: 3747
DIE NO: 4585	ISSUE NO: 1

ISS. NO: ISS. DATE 13.05.2022 AUTH: KD REG NO: SED 3728



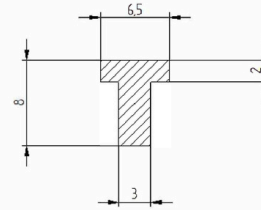
WPS NO: 199397	TOL'S: ISO 3302-1:2014 E1 (unless otherwise stated)
TITLE: S/R Section	NO: WS.50.1
MATERIAL: WS.50.1	SCALE: NTS
COLOUR: Trans	DRG NO: 3728
DIE NO: 4543	ISSUE NO: 1

ISS. NO: 1 ISS. DATE 13.05.2022 AUTH: KD REG NO: SED 3715



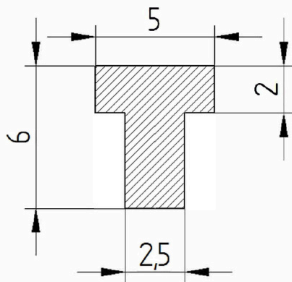
WPS NO: 196110	TOL'S: ISO 3302-1:2014 E1 (unless otherwise stated)
TITLE: S/R Section	NO: WS.60.5
MATERIAL: WS.60.5	SCALE: NTS
COLOUR: RIOX	DRG NO: 3715
DIE NO: 4497	ISSUE NO: 1

ISS. NO: 1 ISS. DATE 03.05.2022 AUTH: KD REG NO: SED 3656



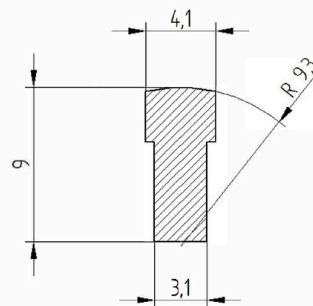
WPS NO:	TOL'S: ISO 3302-1:2014 E1 (unless otherwise stated)
TITLE: S/R Section	NO: WS.40.1
MATERIAL: WS.40.1	SCALE: NTS
COLOUR: Black	DRG NO: 3656
DIE NO: 5052	ISSUE NO: 1

ISS. NO: 1 ISS. DATE 19.04.2022 AUTH: KD REG NO: SED 3633



WPS NO: 166381	TOL'S: ISO 3302-1:2014 E1 (unless otherwise stated)
TITLE: S/R Section	NO: Met det 60
MATERIAL: Met det 60	SCALE: NTS
COLOUR: Blue	DRG NO: 3633
DIE NO: 3988	ISSUE NO: 1

ISS. NO: 1 ISS. DATE 19.05.2022 AUTH: KD REG NO: SED 3749

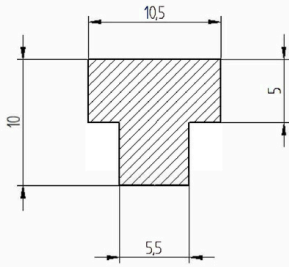


WPS NO: 202610c	TOL'S: ISO 3302-1:2014 E1 (unless otherwise stated)
TITLE: S/R Section	NO: WS.50.1
MATERIAL: WS.50.1	SCALE: NTS
COLOUR: Pink	DRG NO: 3749
DIE NO: 4587	ISSUE NO: 1

T Sections

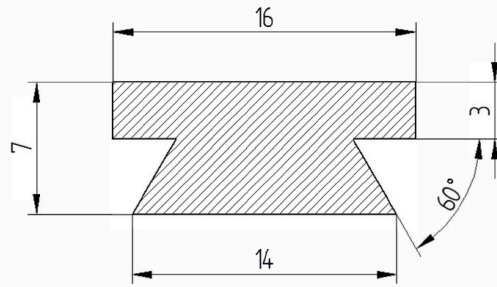


ISS. NO: 1 ISS. DATE 26.05.2022 AUTH: KD REG NO: SED 3791



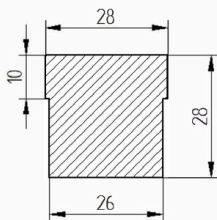
WPS NO: 215026	TOL'S: ISO 3302-1:2014 E1 (unless otherwise stated)
TITLE: S/R Section	NO: WS.50.1
MATERIAL: WS.50.1	SCALE: NTS
COLOUR: Blue 3	DRG NO: 3791
DIE NO: 4712	ISSUE NO: 1

ISS. NO: 1 ISS. DATE 26.05.2022 6AUTH: KD



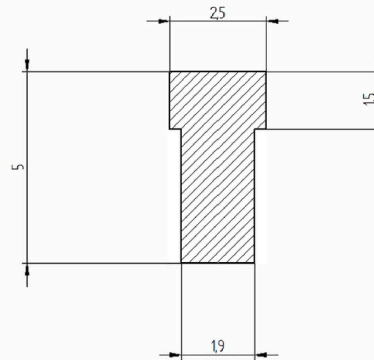
WPS NO: 211359b	TOL'S: ISO 3302-1:2014 E1 (unless otherwise stated)
TITLE: S/R Section	NO: WS.60.1
MATERIAL: WS.60.1	SCALE: NTS
COLOUR: trans	DRG NO: 3776
DIE NO: 4666	ISSUE NO: 1

ISS. NO: 1 ISS. DATE 23.05.2022 AUTH: KD REG NO: SED 3761



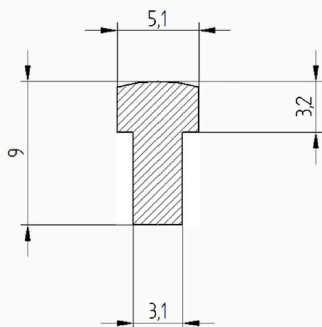
WPS NO:	TOL'S: ISO 3302-1:2014 E1 (unless otherwise stated)
TITLE: S/R Section	NO: WS.60.1
MATERIAL: WS.60.1	SCALE: NTS
COLOUR: Grey	DRG NO: 3761
DIE NO: 5058	ISSUE NO: 1

ISS. NO: 1 ISS. DATE 23.05.2022 AUTH: KD REG NO: SED 3760



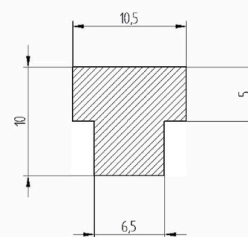
WPS NO: 205042	TOL'S: ISO 3302-1:2014 E1 (unless otherwise stated)
TITLE: S/R Section	NO: WS.70.1
MATERIAL: WS.70.1	SCALE: NTS
COLOUR: RIOX	DRG NO: 3760
DIE NO: 4609	ISSUE NO: 1

ISS. NO: 1 ISS. DATE 19.05.2022 AUTH: KD REG NO: SED 3750



WPS NO: 202610b	TOL'S: ISO 3302-1:2014 E1 (unless otherwise stated)
TITLE: S/R Section	NO: WS.50.1
MATERIAL: WS.50.1	SCALE: NTS
COLOUR: Grey	DRG NO: 3750
DIE NO: 4588	ISSUE NO: 1

ISS. NO: 1 ISS. DATE 26.05.2022 AUTH: KD REG NO: SED 3794

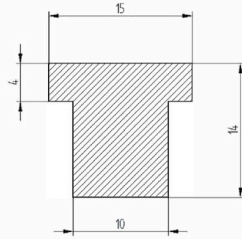


WPS NO: 217965	TOL'S: ISO 3302-1:2014 E1 (unless otherwise stated)
TITLE: S/R Section	NO: WS.50.1
MATERIAL: WS.50.1	SCALE: NTS
COLOUR: Blue 3	DRG NO: 3794
DIE NO: 4736	ISSUE NO: 1

T Sections

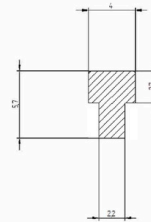


ISS. NO: 1	ISS. DATE 06.06.2022	AUTH: KD	REG NO: SED 3839
------------	----------------------	----------	------------------



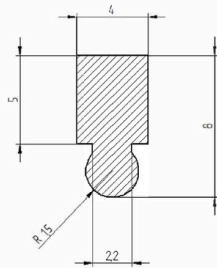
WPS NO: 229976b	TOL'S: ISO 3302-1:2014 E1 (unless otherwise stated)
TITLE: S/R Section	NO: WS.40.1.
MATERIAL: WS.40.1.	SCALE: NTS
COLOUR: white	DRG NO: 3839
DIE NO: 4856	ISSUE NO: 1

ISS. NO: 1	ISS. DATE 08.06.2022	AUTH: KD	REG NO: SED 3872
------------	----------------------	----------	------------------



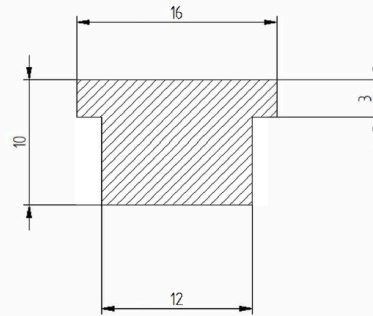
WPS NO:	TOL'S: ISO 3302-1:2014 E1 (unless otherwise stated)
TITLE: S/R Section	NO: WS.50.1.
MATERIAL: WS.50.1.	SCALE: NTS
COLOUR: Trans	DRG NO: 3872
DIE NO: 5061	ISSUE NO: 1

ISS. NO: 1	ISS. DATE 07.06.2022	AUTH: KD	REG NO: SED 3867
------------	----------------------	----------	------------------



WPS NO: G39090	TOL'S: ISO 3302-1:2014 E1 (unless otherwise stated)
TITLE: S/R Section	NO: WS.40.1.
MATERIAL: WS.40.1.	SCALE: NTS
COLOUR: Blue 2	DRG NO: 3867
DIE NO: 4945	ISSUE NO: 1

ISS. NO: 1	ISS. DATE 06.06.2022	AUTH: KD	REG NO: SED 3861
------------	----------------------	----------	------------------



WPS NO: 23428	TOL'S: ISO 3302-1:2014 E1 (unless otherwise stated)
TITLE: S/R Section	NO: WS.60.1.
MATERIAL: WS.60.1.	SCALE: NTS
COLOUR: Trans	DRG NO: 3861
DIE NO: 4926	ISSUE NO: 1



AAG AALBORG GUMMIVÆREFABRIK



Telefon: +45 98 15 80 22



Hjemmeside: www.aag.world



Email: info@aag-gummi.dk



Adresse: Sundsholmen 3, 9400
Nørresundby, Denmark